

Serration Cleaning Plate



Serration plates are available in three standard types, each supplied in a wooden case with a tube of lapping paste

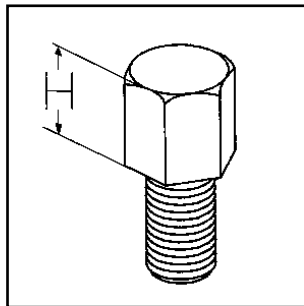
- Allows quick and easy cleaning and deburring of serrated chuck jaws.
- Improved accuracy of mounting to base jaws.
- Extends the working life and precision of the top jaws.
- Keeps jaw serrations in perfect condition.
- Different serration type on reverse of plate.

Simply apply lapping paste and guide jaw onto serrations on plate, move jaw back and forth until serrations are in top condition.

Techleader Part No.	Serration Type		
ES96	1/16" X 90°	and reverse	1.5 mm X 60°
ES99	1/16" X 90°	" "	3/32" x 90°
ES66	1.5mm X 60°	" "	3 mm X 60°



Workpiece Height Pins



- Material: En32 Hardened & Ground.
- Ordering: Please state Techleader Part No.
- Workpiece height pins are for use with Adjustagrip hard jaws or with special jaws requiring a workpiece height location.

Techleader Part No.	H	Width Across Flats	"P" Thread	Suits Adjustagrip Jaw Ranges
IT05 IT10 IT15 IT20	5 10 15 20	10	M6	LA, LB, MA, MB LY 10 - 35
IU05 IU10 IU15 IU20 IU25	5 10 15 20 25	13	M8	LC, LD, LE, LF, MC, MD, ME, MF LY 40 - 43

Quick Jaw Change Base Jaw Bolts



Techleader Part No.	Bolt Size	To Suit Base Jaw Type	Techleader Part No.	Bolt Size	To Suit Base Jaw Type
QA12	M8 x 1 x 20	MFG 160, MFG 200	QB 12	M8 x 20	GBK 140, GBK 160, GBK 200
QA32	M12 x 1.5 x 30	MFG 250	QB31	M12 x 25	GBK 250, GBK 315
QA33	M12 x 1.5 x 35	MFG 315	QB32	M12 x 30	GBK 400
QA54	M16 x 1.5 x 40	MFG 400	QB55	M16 x 45	GBK 500, GBK 630