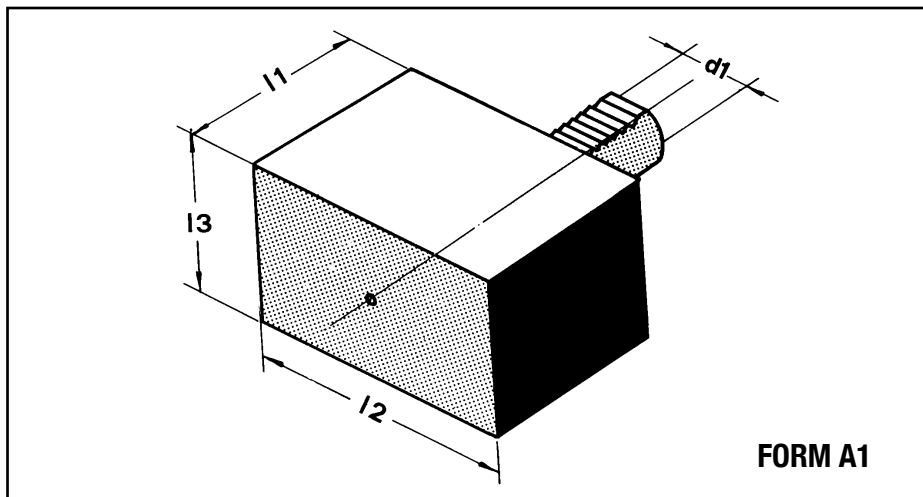


VDI Toolholders

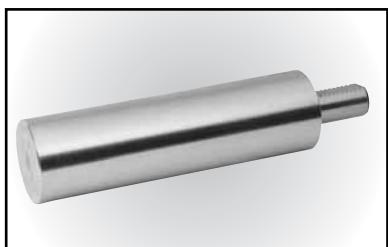


Toolholder with parallel shank for special versions, rectangular

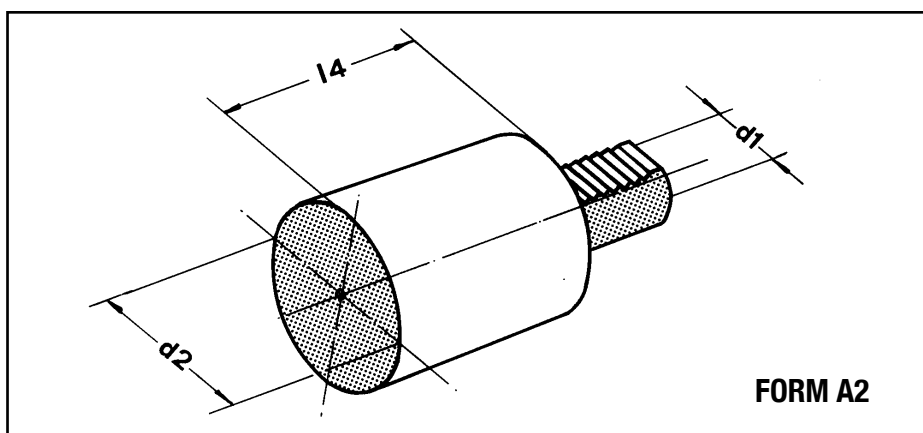


FORM A1

Order No.	Device Type	Dimensions			
		d ₁	l ₁	l ₂	l ₃
A12065	A1 20 x 65	20	65	100	60
A13085	A1 30 x 85	30	85	130	76
A140100	A1 40 x 100	40	100	151	96
A150125	A1 50 x 125	50	125	160	120
A160150	A1 60 x 150	60	150	165	125
A180200	A1 80 x 200	80	200	220	160



Toolholder with parallel shank for special versions, round



FORM A2

Order No.	Device Type	Dimensions		
		d ₁	d ₂	l ₄
A22070	A2 20 x 70	20	50	70
A230100	A2 30 x 100	30	68	100
A230240	A2 30 x 240	30	68	240
A240120	A2 40 x 120	40	83	120
A240320	A2 40 x 320	40	83	320
A250135	A2 50 x 135	50	98	135
A250400	A2 50 x 400	50	98	400
A260150	A2 60 x 150	60	123	150
A260480	A2 60 x 480	60	123	480
A280500	A2 80 x 500	80	158	500