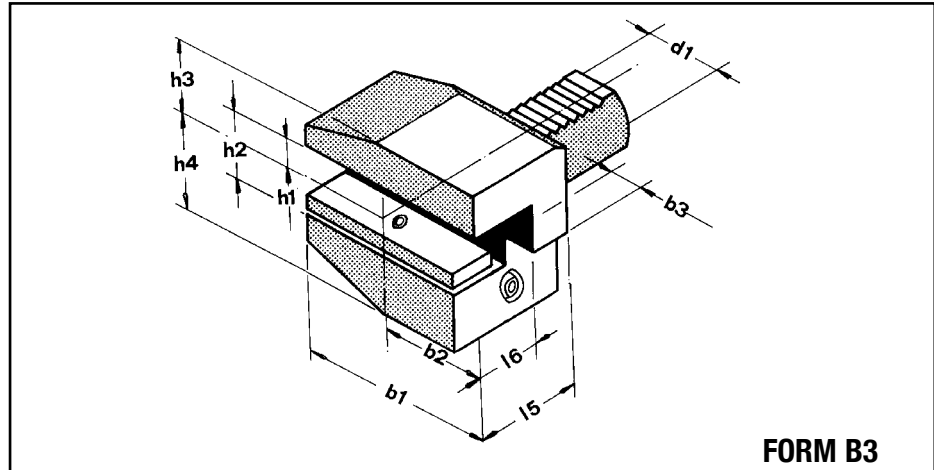


VDI Toolholders



Toolholder with parallel shank and transversal rectangular seat, upside-down, right-hand short

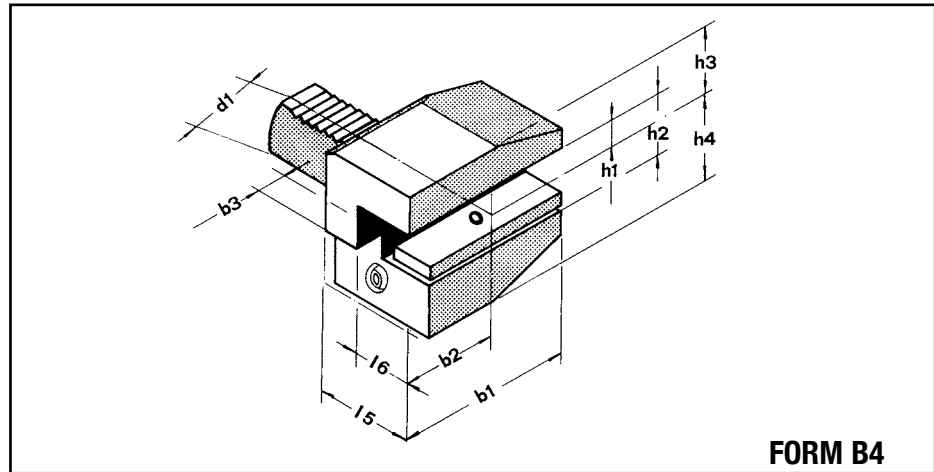


FORM B3

Order No.	Device Type	Dimensions									
		d ₁	b ₁	b ₂	b ₃	h ₁	h ₂	h ₃	h ₄	l ₅	l ₆
B32062530	B3 20 x 5/8 x 30	20	55	30	7	5/8	22	30	25	30	14
B32062540	B3 20 x 5/8 x 40	20	55	30	7	5/8	22	30	25	40	14
B33075040	B3 30 x 3/4 x 40	30	70	35	10	3/4	29	38	35	40	18
B33075060	B3 30 x 3/4 x 60	30	70	35	10	3/4	29	38	35	60	18
B340100044	B3 40 x 1 x 44	40	85	42.5	12.5	1	34	48	42.5	44	22
B350125055	B3 50 x 1-1/4 x 55	50	100	50	16	1-1/4	41	60	50	55	25
B360125060	B3 60 x 1-1/4 x 60	60	125	62.5	16	1-1/4	41	62.5	62.5	60	30
B380150075	B3 80 x 1-1/2 x 75	80	160	80	20	1-1/2	53	80	80	75	35



Toolholder with parallel shank and transversal rectangular seat, upside-down, left-hand short



FORM B4

Order No.	Device Type	Dimensions									
		d ₁	b ₁	b ₂	b ₃	h ₁	h ₂	h ₃	h ₄	l ₅	l ₆
B42062530	B4 20 x 5/8 x 30	20	55	30	7	5/8	22	30	25	30	14
B42062540	B4 20 x 5/8 x 40	20	55	30	7	5/8	22	30	25	40	14
B43075040	B4 30 x 3/4 x 40	30	70	35	10	3/4	29	38	35	40	18
B43075060	B4 30 x 3/4 x 60	30	70	35	10	3/4	29	38	35	60	18
B440100044	B4 40 x 1 x 44	40	85	42.5	12.5	1	34	48	42.5	44	22
B450125055	B4 50 x 1-1/4 x 55	50	100	50	16	1-1/4	41	60	50	55	25
B460125060	B4 60 x 1-1/4 x 60	60	125	62.5	16	1-1/4	41	62.5	62.5	60	30
B480150075	B4 80 x 1-1/2 x 75	80	160	80	20	1-1/2	53	80	80	75	35