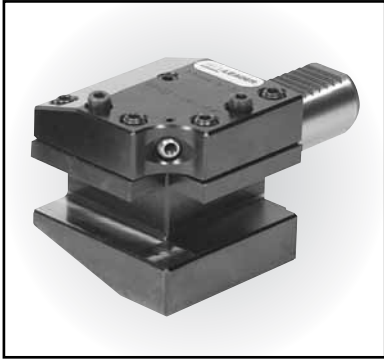
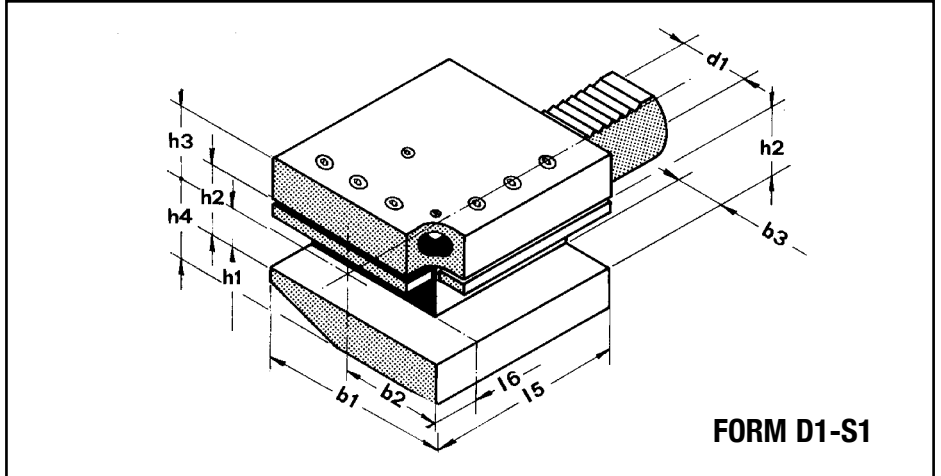


VDI Toolholders



Toolholder with parallel shank and multiple rectangular seats, right-hand special



Order No.	Device Type	Dimensions									
		d ₁	b ₁	b ₂	b ₃	h ₁	h ₂	h ₃	h ₄	l ₅	l ₆
D1S120625	D1-S1 20 x 5/8	20	55	30	14	5/8	22	25	30	55	14
D1S130750	D1-S1 30 x 3/4	30	70	35	18	3/4	29	28	38	70	18
D1S1401000	D1-S1 40 x 1	40	85	42.5	22	1	34	32.5	48	85	22
D1S1501250	D1-S1 50 x 1-1/4	50	100	50	25	1-1/4	41	35	60	120	25
D1S1601250	D1-S1 60 x 1-1/4	60	125	62.5	30	1-1/4	41	42.5	62.5	135	30
D1S1801500	D1-S1 80 x 1-1/2	80	160	80	39	1-1/2	53	55	80	160	35

All rights of modification reserved