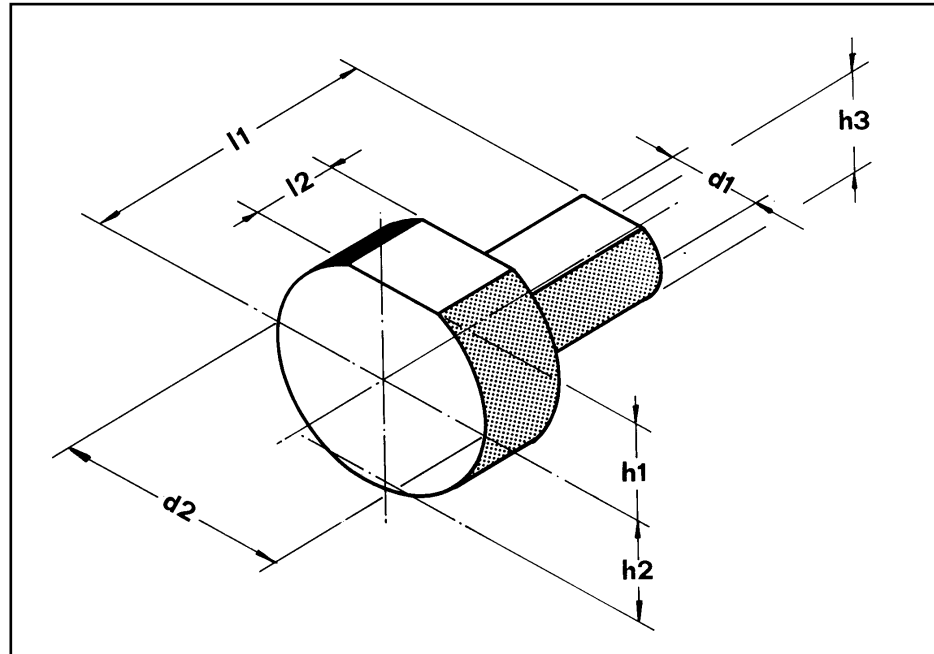


VDI Toolholders

Plugs
Steel and Plastic



Steel

Order No.	Device Type	Dimensions						
		d_1	d_2	h_1	h_2	h_3	l_1	l_2
Z220	Z2-20	20	50	21	23	17	60	16
Z230	Z2-30	30	68	28	30	26	74	16
Z240	Z2-40	40	83	32.5	–	35	74	20
Z250	Z2-50	50	98	35	–	44	74	20
Z260	Z2-60	60	123	42.5	–	54	74	20
Z280	Z2-80	80	158	55	–	71	74	20



Plastic

Order No.	Device Type	Dimensions						
		d_1	d_2	h_1	h_2	h_3	l_1	l_2
Z2P20	Z2P-20	20	50	21	23	17	60	16
Z2P30	Z2P-30	30	68	28	30	26	74	16
Z2P40	Z2P-40	40	83	32.5	–	35	74	20
Z2P50	Z2P-50	50	98	35	–	44	74	20
Z2P60	Z2P-60	60	123	42.5	–	54	74	20
Z2P80	Z2P-80	80	158	55	–	71	74	20