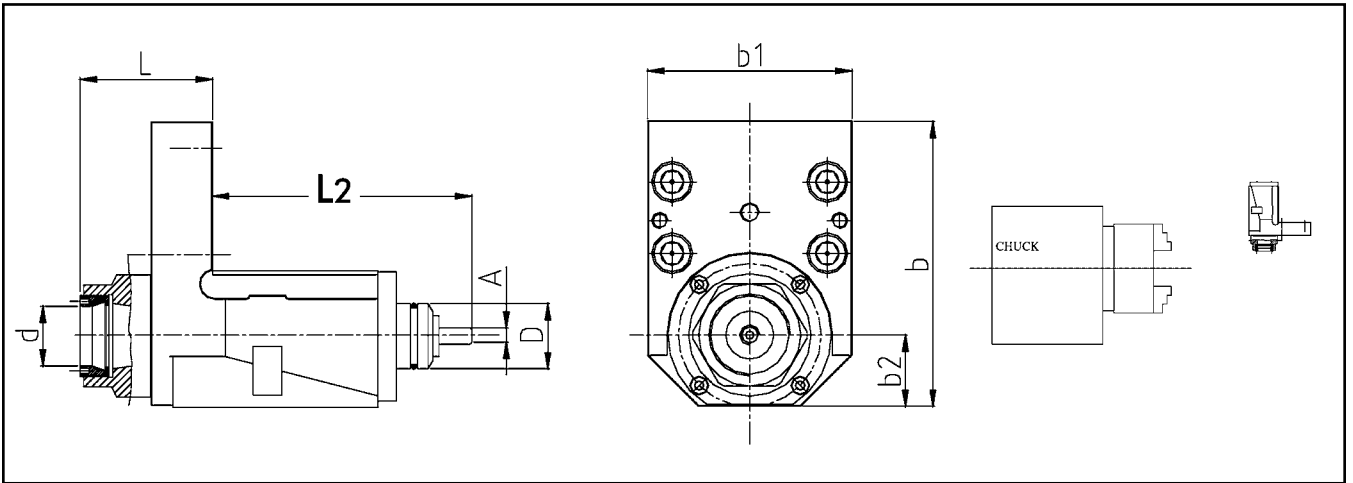
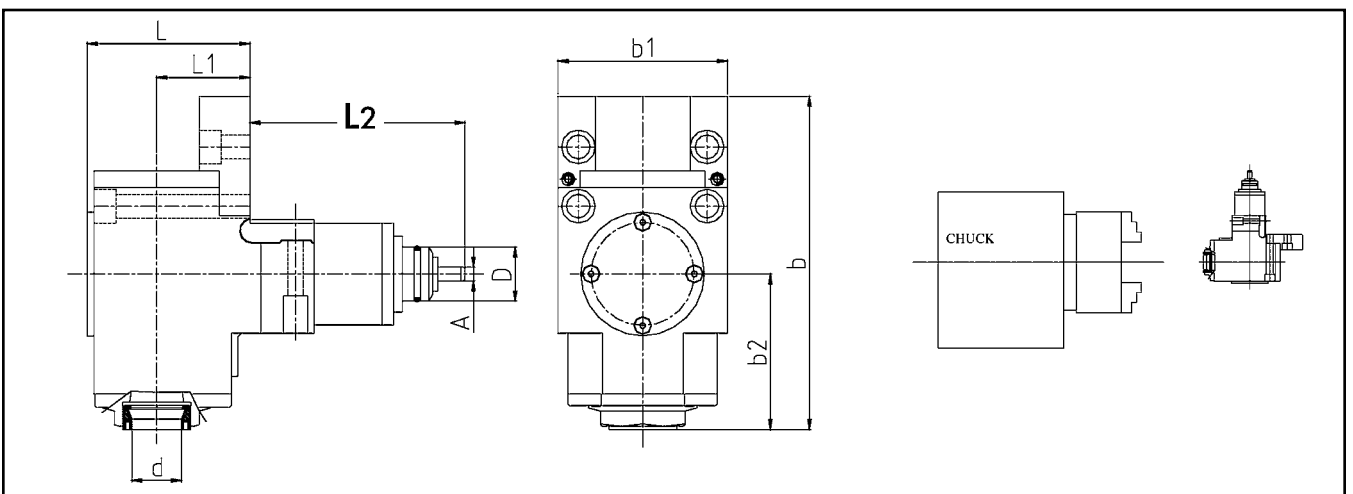


MORI SEIKI SL 150-200-250-300 Axial Drilling And Milling Heads



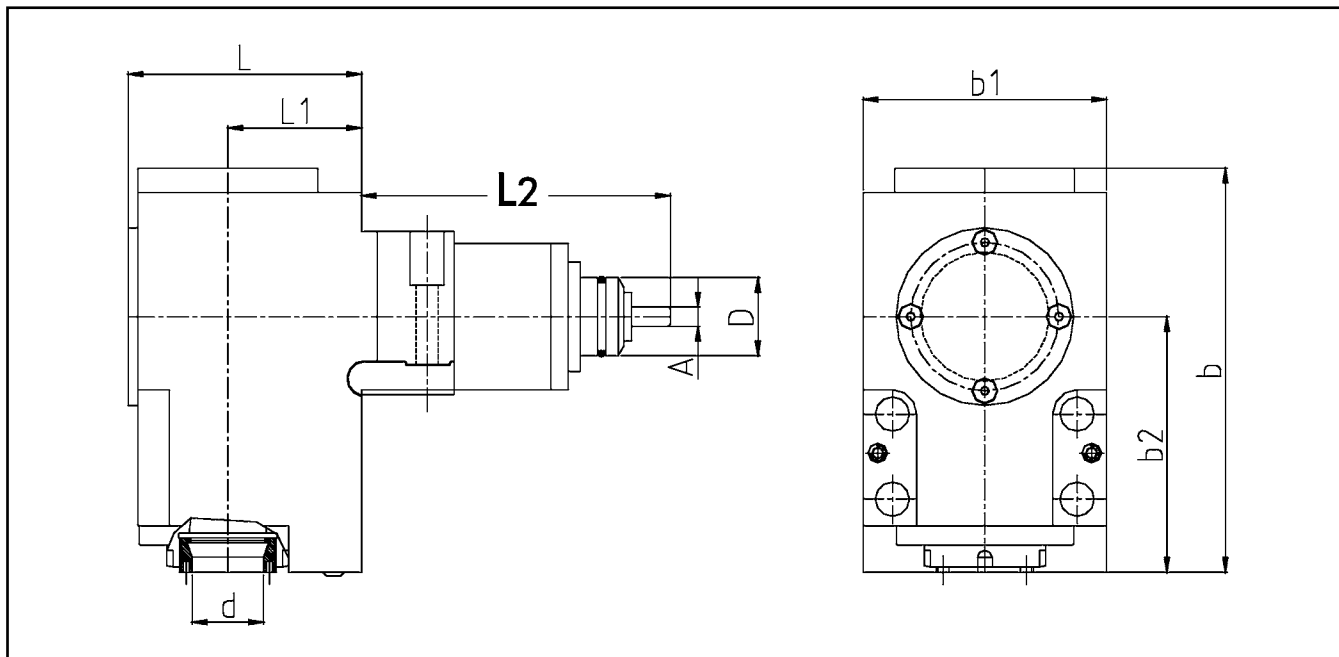
ORDER NO.	D (mm)	d	A (mm)	L2 (mm)	L (mm)	b (mm)	b1 (mm)	b2 (mm)	RPM Max	Ratio	Nm	Kg.
HE32MA20	32	ECX/ER32	7.9	127	64.5	140	100	35	6000	1:1	50	5.5

Radial Drilling And Milling Heads SL 150-200-250-300

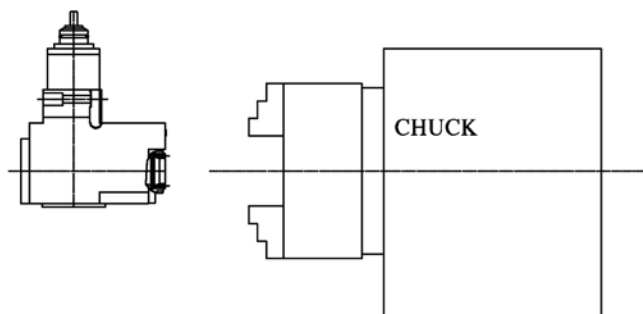


ORDER NO.	D (mm)	d	A (mm)	L2 (mm)	L (mm)	L1 (mm)	b (mm)	b1 (mm)	b2 (mm)	RPM Max	Ratio	Nm	Kg.
HE32MB20	32	ECX/ER32	7.9	127	96	55	197	100	92	6000	1:1	50	10

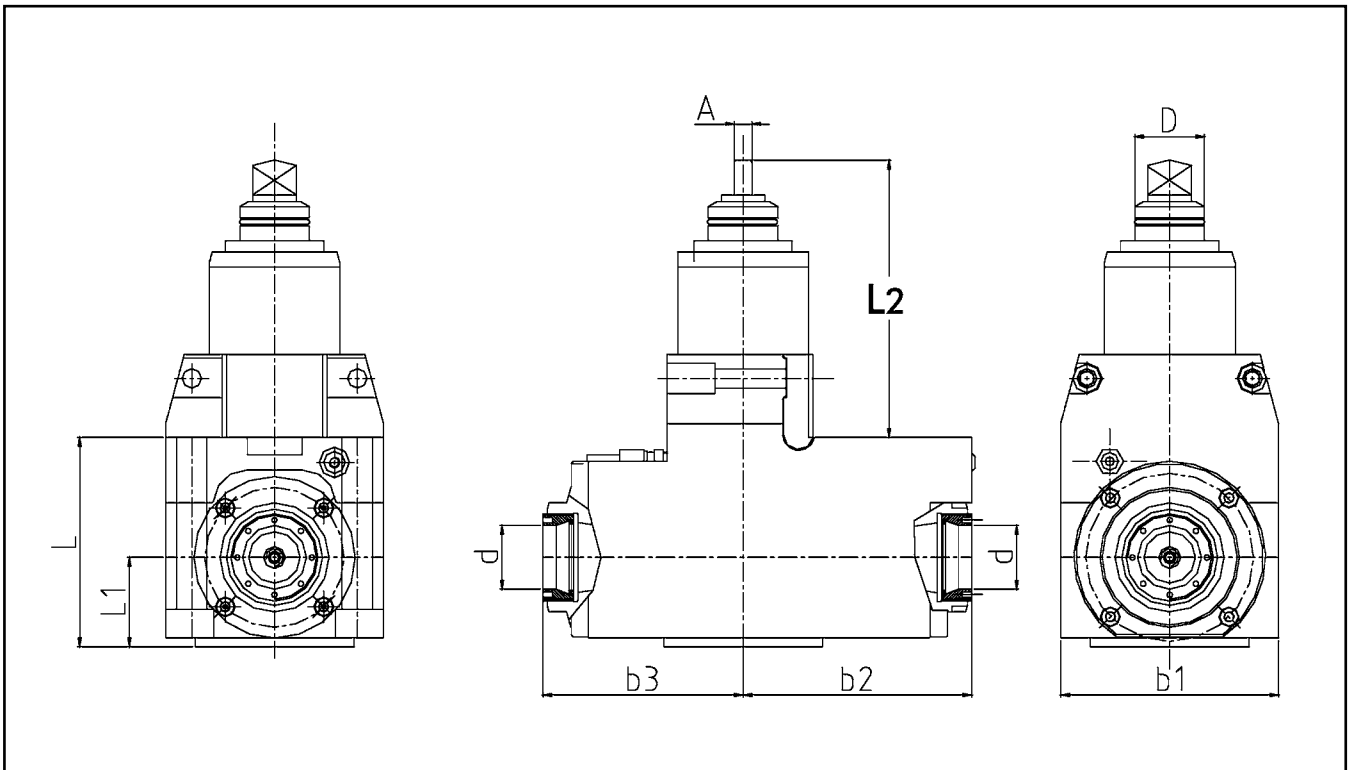
MORI SEIKI SL 150-200-250-300 Radial Drilling And Milling Heads



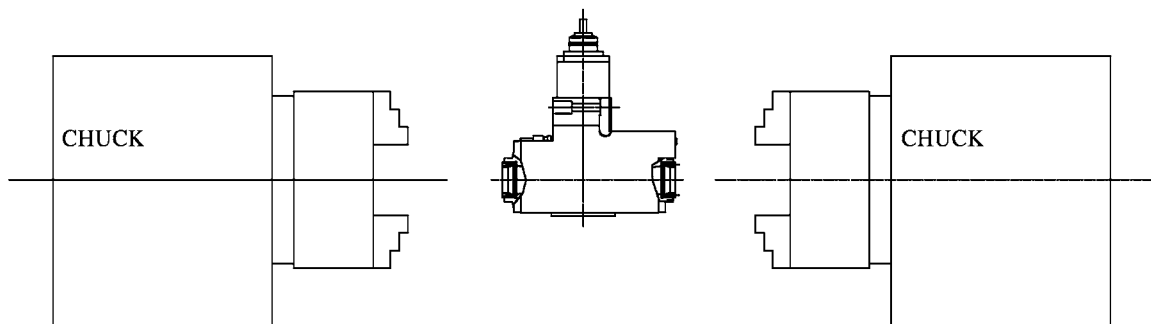
ORDER NO.	D (mm)	d	A (mm)	L2 (mm)	L (mm)	L1 (mm)	b (mm)	b1 (mm)	b2 (mm)	RPM Max	Ratio	Nm	Kg.
HE32MB20S	32	ECX/ER32	7.9	127	96	55	166	100	105	6000	1:1	50	10



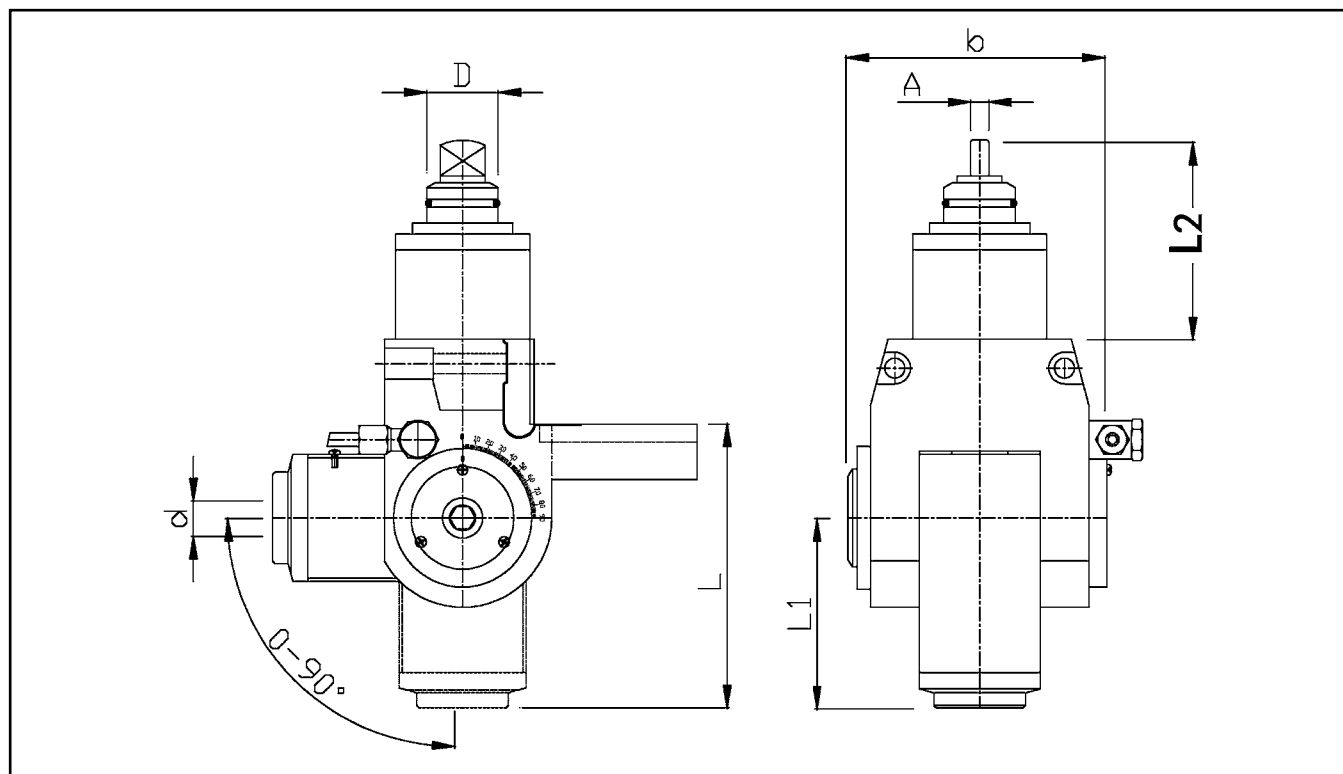
MORI SEIKI SL 150-200-250-300 Radial Double Right Angle Drilling & Milling Heads



ORDER NO.	D (mm)	d	A (mm)	L2 (mm)	L (mm)	L1 (mm)	b1 (mm)	b2 (mm)	b3 (mm)	RPM Max	Ratio	Nm	Kg.
HE32ML20	32	ECX/ER32	7.9	127	96	55	100	105	92	6000	1:1	50	14

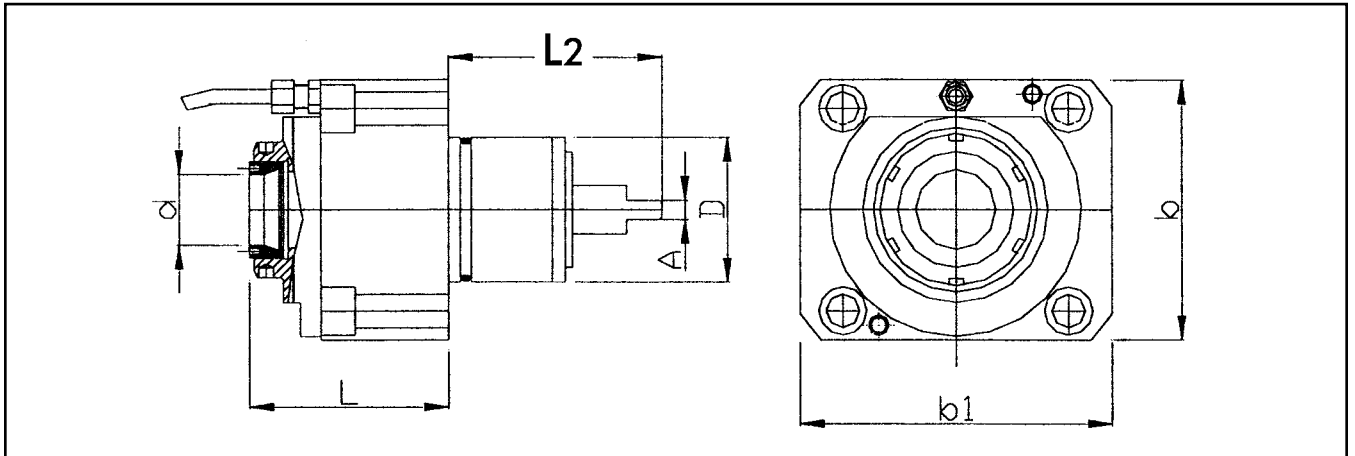


MORI SEIKI SL 150-200-250-300 Universal Angle Drilling And Milling Heads



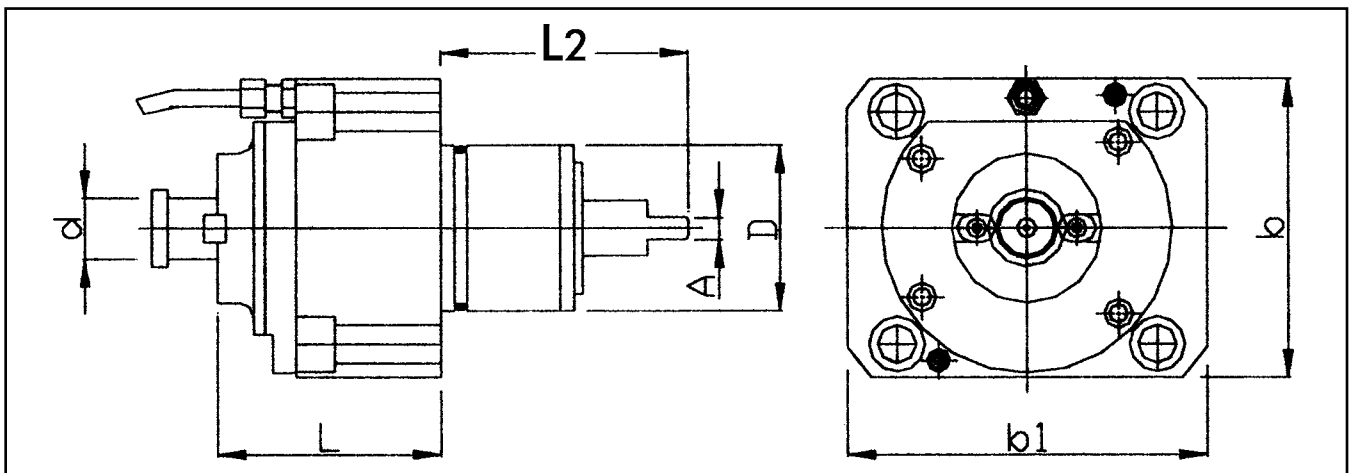
ORDER NO.	D (mm)	d	A (mm)	L2 (mm)	L (mm)	L1 (mm)	b (mm)	RPM Max	Ratio	Nm	Kg.
HE32ME16	32	ECX/ER25	7.9	127	130	85	116	6000	1:1	25	7.5

MORI SEKI NL SERIES Axial Drilling And Milling Heads



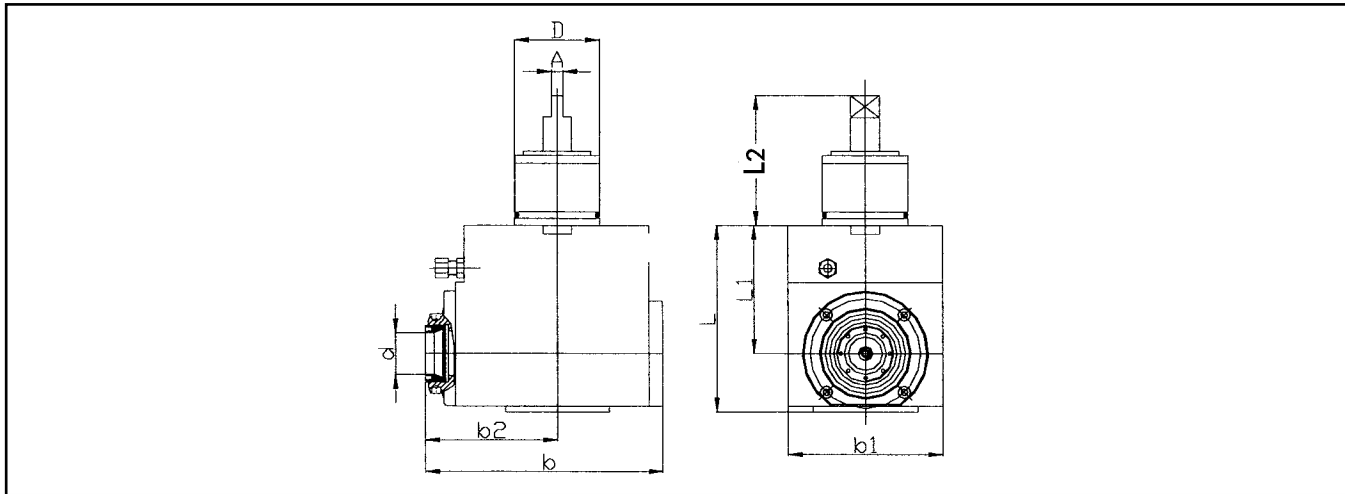
ORDER NO.	D (mm)	d	A (mm)	L2 (mm)	L (mm)	b (mm)	b1 (mm)	RPM Max	Ratio	Nm	Kg.
HE60MA20	60	ECX/ER32	7.9	91	82	130	108	6000	1:1	50	7.50
HE60MA26	60	ECX/ER40	7.9	91	97	130	108	6000	1:1	50	7.65

Axial Drilling And Milling Heads



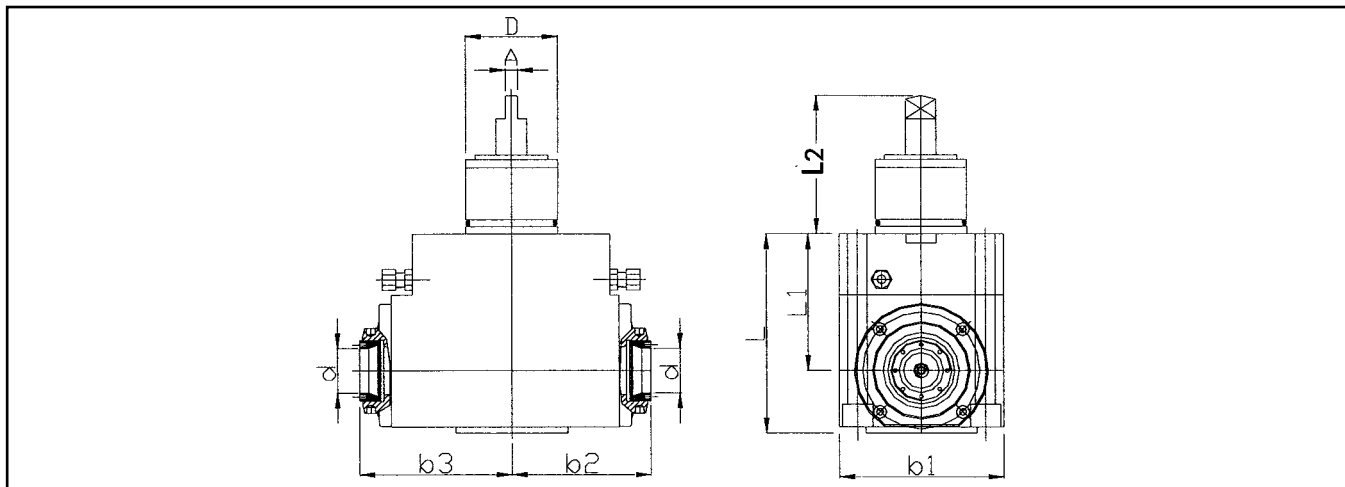
ORDER NO.	D (mm)	dh6	A (mm)	L2 (mm)	L (mm)	b (mm)	b1 (mm)	RPM Max	Ratio	Nm	Kg.
TF60MA22	60	Ø22	7.9	91	82	108	130	6000	1:1	50	7.8

MORI SEIKI NL SERIES Radial Drilling And Milling Heads



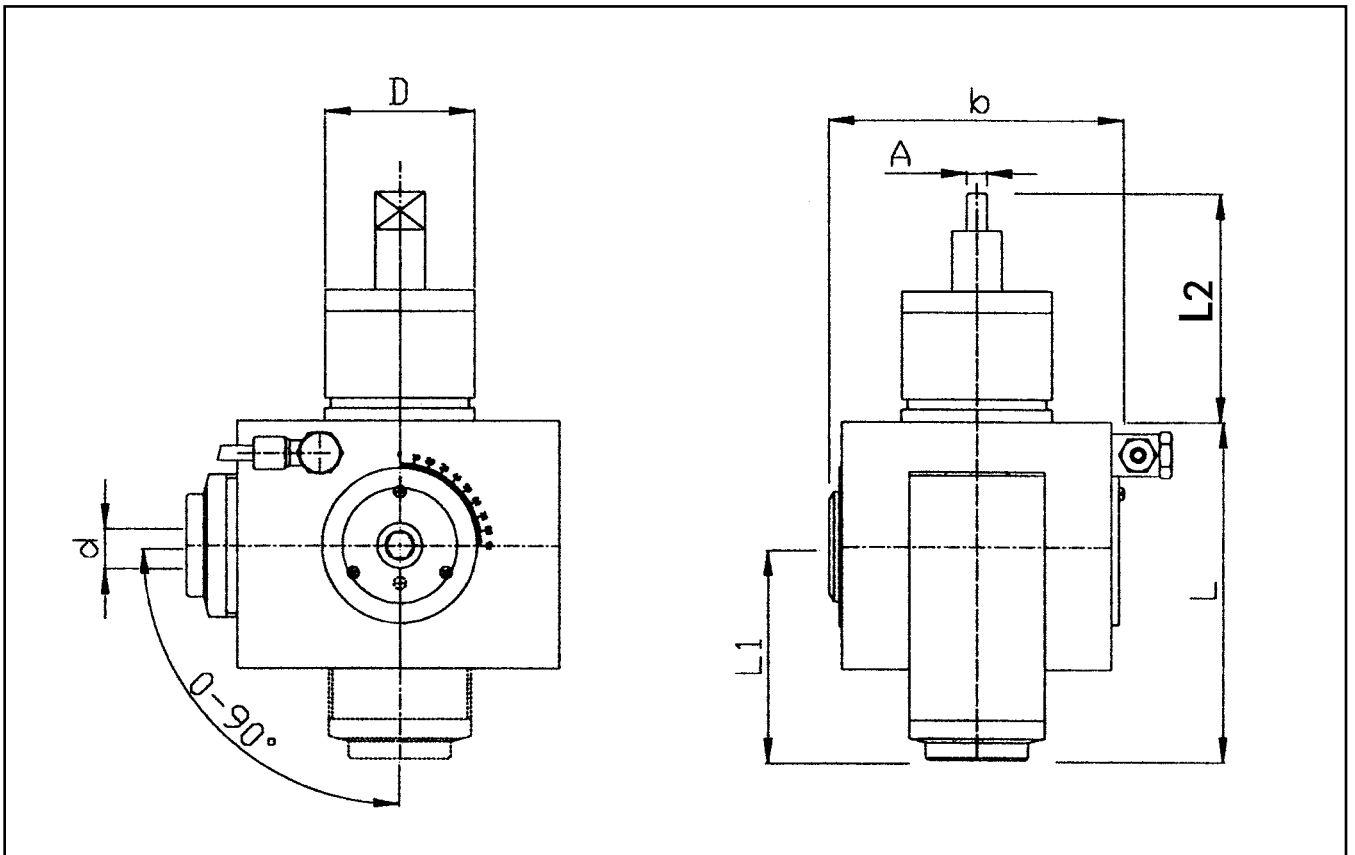
ORDER NO.	D (mm)	d	A (mm)	L2 (mm)	L (mm)	L1 (mm)	b (mm)	b1 (mm)	b1 (mm)	RPM Max	Ratio	Nm	Kg.
HE60MB20	60	ECX/ER32	7.9	91	131	90	167	108	92	6000	1:1	50	14.00
HE60MB26	60	ECX/ER40	7.9	91	131	90	182	108	107	6000	1:1	50	14.15

Radial Double Drilling And Milling Heads



ORDER NO.	D (mm)	d	A (mm)	L2 (mm)	L (mm)	L1 (mm)	b1 (mm)	b2 (mm)	b3 (mm)	RPM Max	Ratio	Nm	Kg.
HE60ML20	60	ECX/ER32	7.9	91	131	90	108	92	100	6000	1:1	50	15.00
HE60ML26	60	ECX/ER40	7.9	91	97	90	108	107	115	6000	1:1	50	15.15

MORI SEIKI NL SERIES Universal Angle Drilling & Milling Heads



ORDER NO.	D (mm)	d	A (mm)	L2 (mm)	L (mm)	L1 (mm)	b (mm)	RPM Max	Ratio	Nm	Kg.
HE60ME16	60	ECX/ER25	7.9	91	140	85	116	6000	1:1	25	9.0