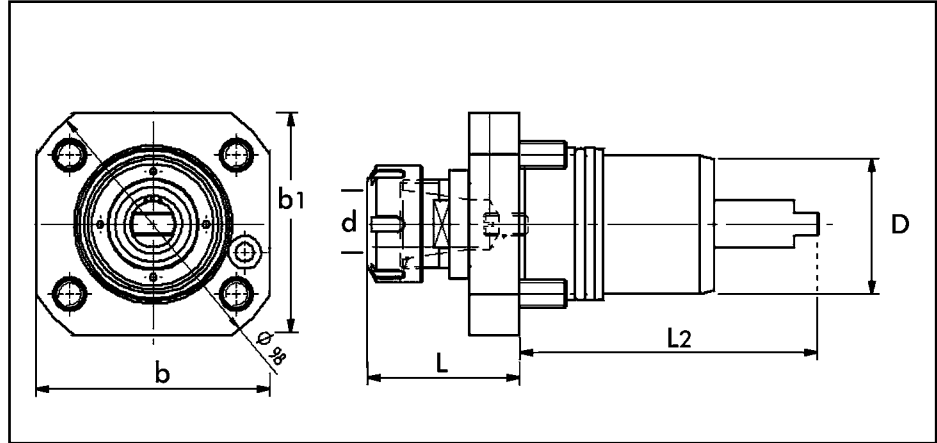
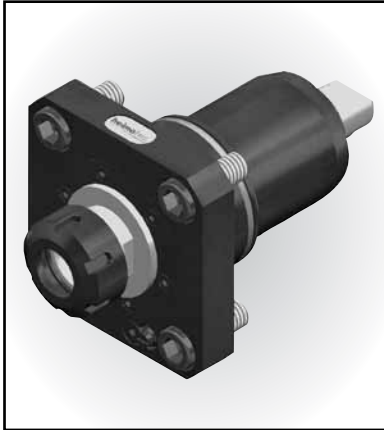
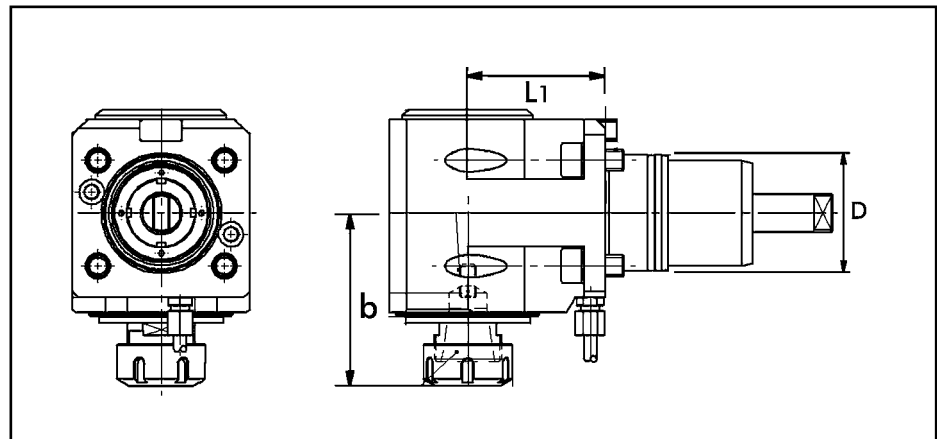


NAKAMURA Axial Drilling And Milling Heads



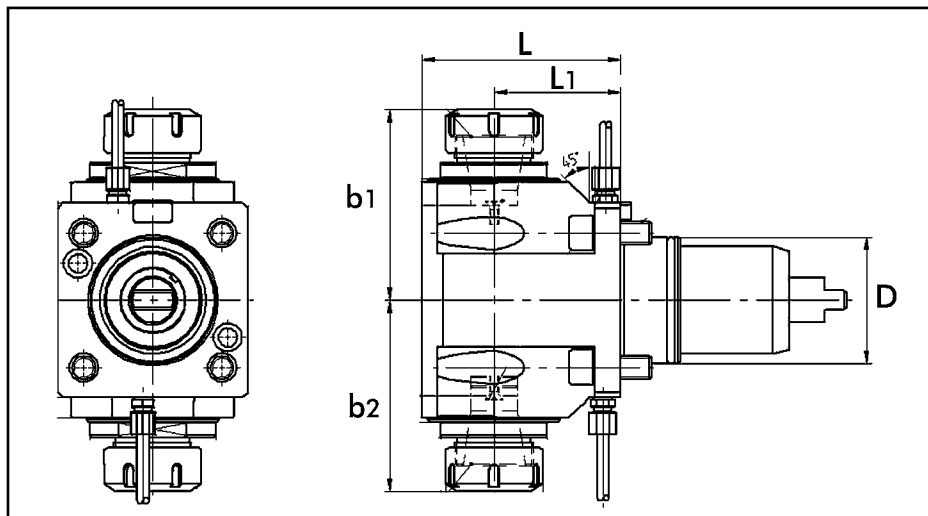
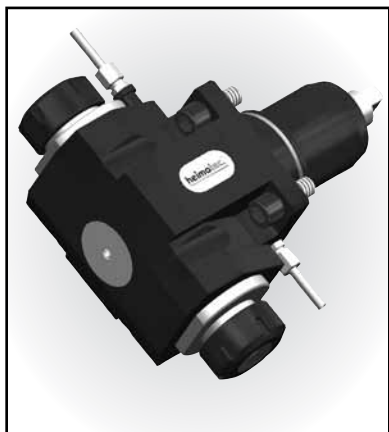
ORDER NO.	MODEL	D (mm)	d	L (mm)	b (mm)	b1 (mm)	RPM Max	Ratio	Nm
801055003	TW10, WTS150, SC150, SC250	55	ECX/ER25	55	80	84	6000	1:1	25
801066003	TW20, SC300	65	ECX/ER32	56	97	97	6000	1:1	50
801066011	TW30, SC450	75	ECX/ER32	73	100	115	4000	1:1	50

Radial Drilling And Milling Heads



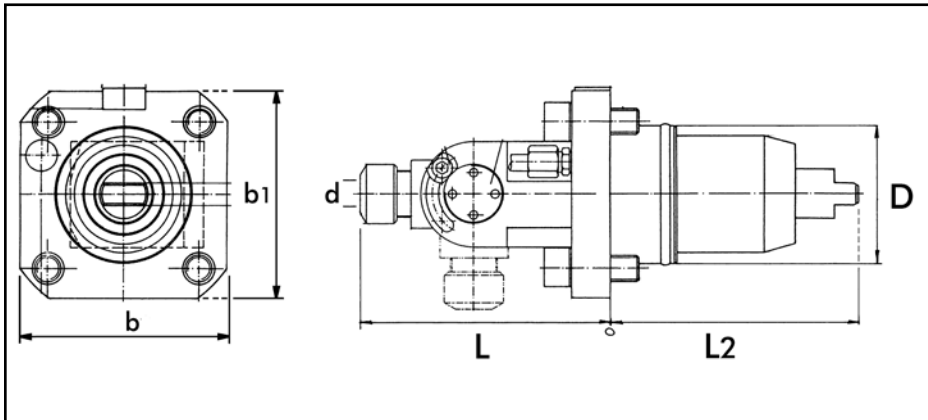
ORDER NO.	MODEL	D (mm)	d	L1 (mm)	b (mm)	RPM Max	Nm
803055037	TW10, WTS150, SC150, SC250	55	ECX/ER25	65	82	6000	50
803066002	TW20, SC300	65	ECX/ER32	65	83	6000	50
803066005	TW30, SC450	75	ECX/ER32	90	87	4000	50

NAKAMURA Radial Double Drilling & Milling Heads



ORDER NO.	MODEL	D (mm)	d	L (mm)	L2 (mm)	b (mm)	b1 (mm)	RPM Max	Ratio	Nm
803955003	TW10, WTS150, SC150, SC250	55	ECX/ER25	80	55	77	77	6000	1:1	25
803966008	TW20, SC300	65	ECX/ER32	102	65	98	98	6000	1:1	50
803966012	TW30, SC450	75	ECX/ER32	127	90	98	98	6000	1:1	50

Universal Angle Drilling & Milling Heads



ORDER NO.	MODEL	L1 (mm)	d	L (mm)	L2 (mm)	b (mm)	b1 (mm)	RPM Max	Nm
804054002	TW10, WTS150, SC150, SC250	105	ECX/ER16	108	54	80	84	5000	50
804064000	TW20, SC300	116.3	ECX/ER16	116.3	54	97	97	4000	50
804065001	TW30, SC450	143.5	ECX/ER25	141.5	67	100	102	4000	50