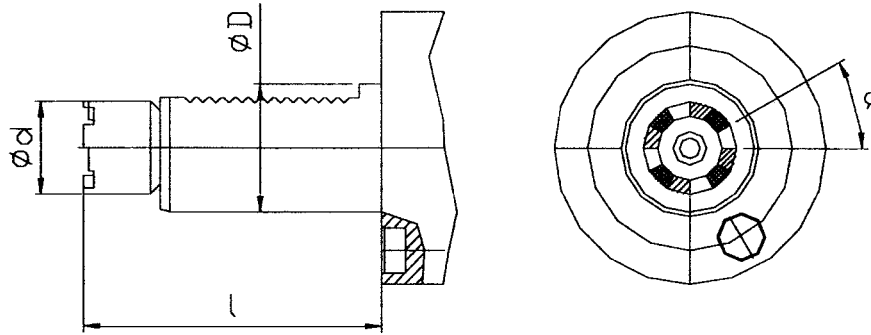
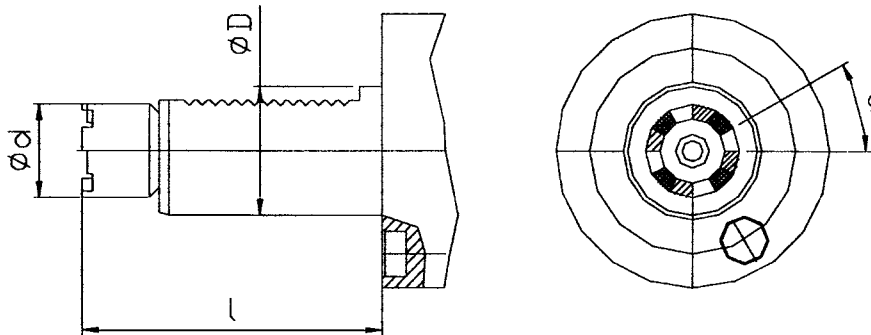


OKUMA Type I & Type II Couplings

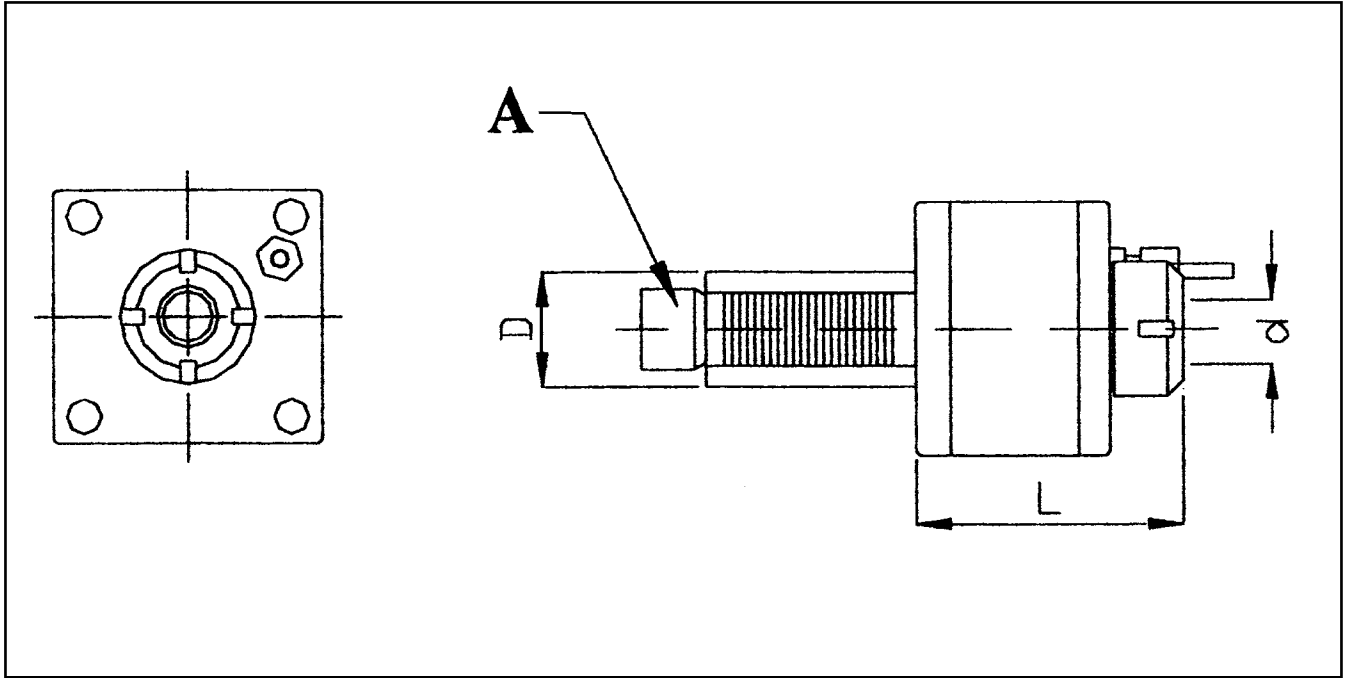


| ØD (mm) | 50 | | |
|---------|---------|--|--|
| 1 (mm) | 105 | | |
| Ød (mm) | 42 | | |
| n (mm) | 12 | | |
| a° | 30 | | |
| Machine | LB3511M | | |
| Code | ...39 | | |

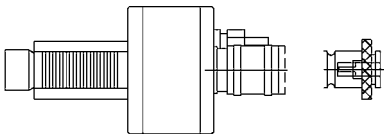


| ØD (mm) | 30 | 40 | 40 | 50 |
|---------|-------------------------------------|---|--------------------------|-----------------------|
| 1 (mm) | 69 | 93 | 101 | 105 |
| Ød (mm) | 24 | 29 | 35 | 42 |
| n (mm) | 8 | 8 | 8 | 8 |
| a° | 60 | 60 | 60 | 60 |
| | 30 | 30 | 30 | 30 |
| Machine | LB10M LB1011M LR10M LB200M | LB15M LB1511M LB1511MY LU15M LB300M LB300MY LU300M L370M LVT300M LVT400M | LB25M LU25M LB251M | LU35M LB45 LU45 |
| Code | ...35 | ...36 | ...37 | ...38 |

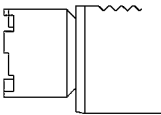
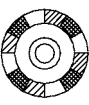
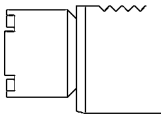

OKUMA Axial Drilling And Milling Heads



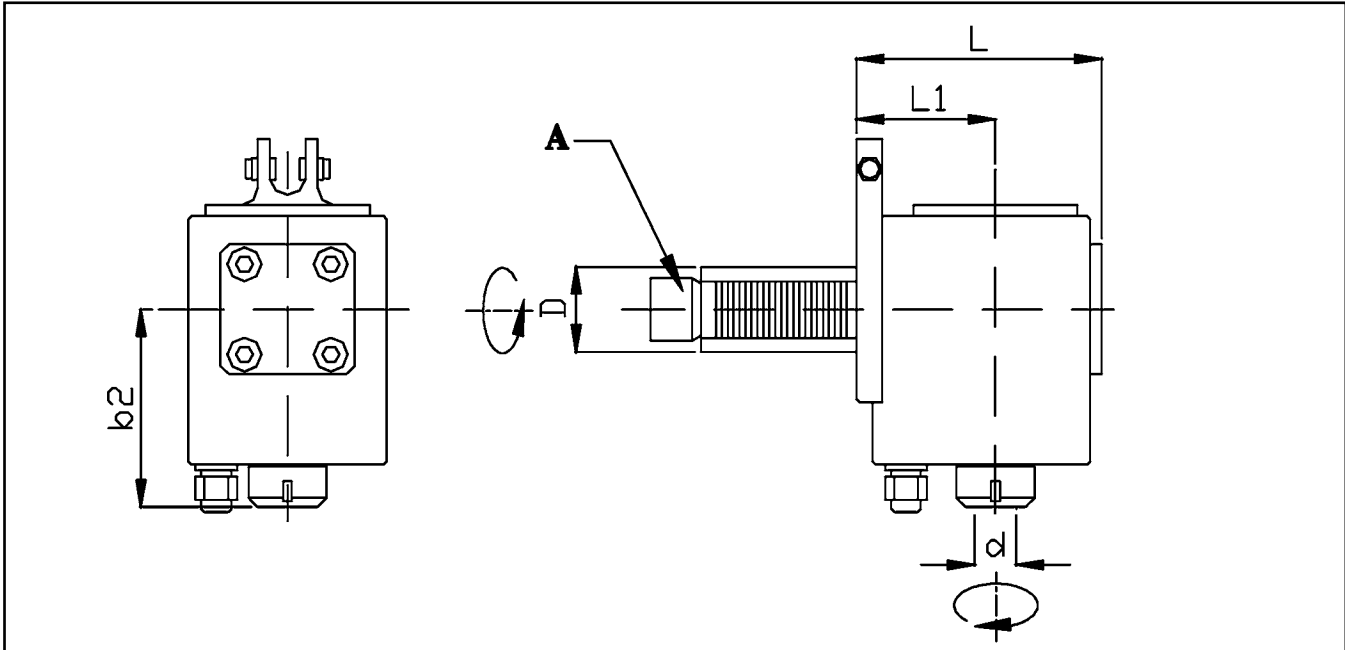
| ORDER NO. | D (mm) | d | L (mm) | RPM Max | Ratio | Nm | Kg. |
|-----------|--------|----------|--------|---------|-------|----|-----|
| TE30A1335 | 30 | ECX/ER20 | 100 | 6000 | 1:1 | 25 | 2.8 |
| TE40A2036 | 40 | ECX/ER32 | 110 | 6000 | 1:1 | 60 | 4.0 |
| TE40A2037 | 40 | ECX/ER32 | 110 | 6000 | 1:1 | 60 | 4.0 |



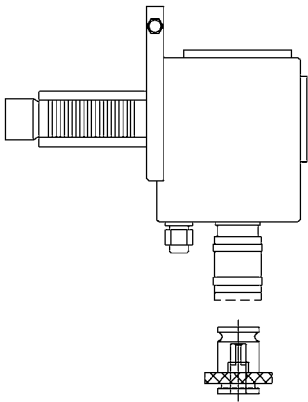
TAPPING HEAD (BLILZ)

| Drive A** D (mm) |   TYPE II |   TYPE I |
|------------------------|--|--|
| | 30 | – |
| 40 | – | ...36 LB15M-LB151M LB1511MY-LU15M |
| 40 | – | ...37 |
| 50 | ...39 LB3511M | ...38 |

OKUMA Radial Drilling And Milling Heads



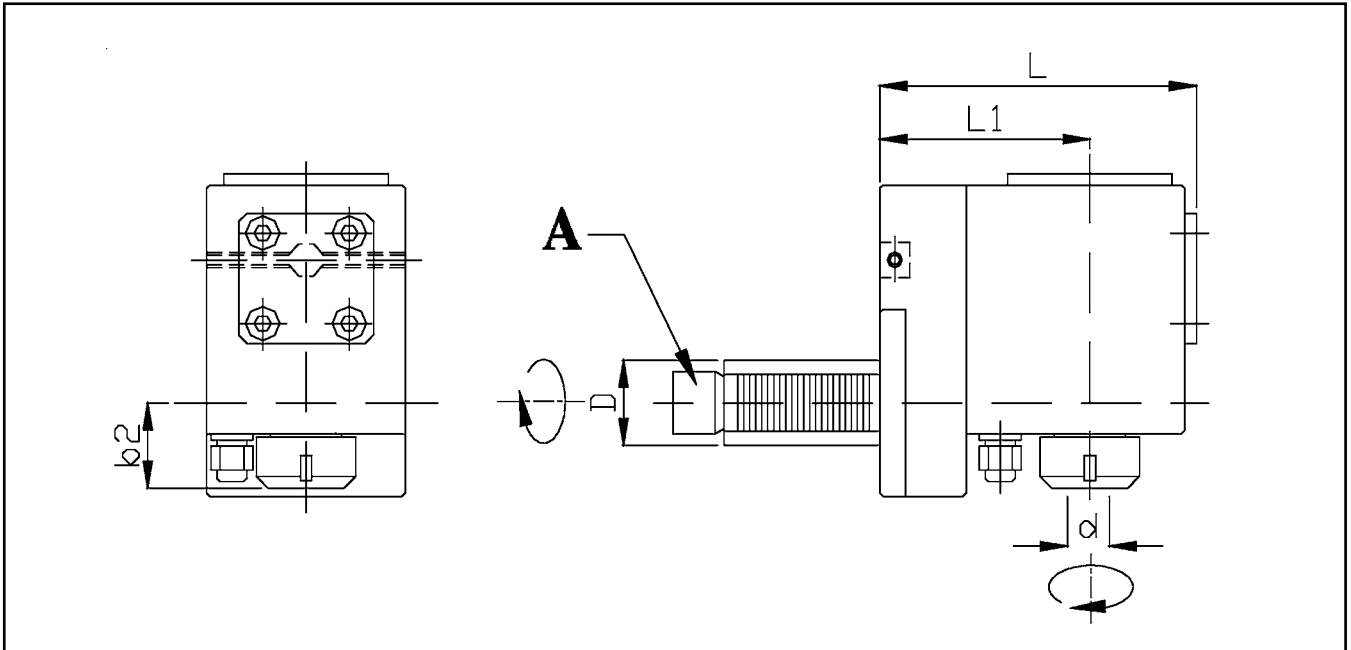
| ORDER NO. | D (mm) | d | L (mm) | L1 (mm) | b2 (mm) | RPM Max | Ratio | Nm | Kg. |
|-----------|--------|----------|--------|---------|---------|---------|-------|----|-----|
| TE30B1335 | 30 | ECX/ER20 | 102 | 53 | 90 | 6000 | 1:1 | 25 | 3.8 |
| TE40B2036 | 40 | ECX/ER32 | 109 | 64 | 98 | 6000 | 1:1 | 50 | 6.0 |
| TE40B2037 | 40 | ECX/ER32 | 109 | 64 | 98 | 6000 | 1:1 | 50 | 6.0 |



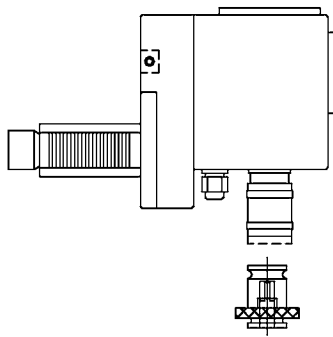
TAPPING HEAD (BLILZ)

| Drive A** D (mm) | TYPE II | | TYPE I | |
|---------------------|-------------|---------|------------|--|
| | 30 | - | | ...35 |
| 40 | - | | ...36 | LB15M-LB1511M LB1511MY-LU15M LB300M-LB300MY LU300M-L370M LVT300M-LVT400M |
| 40 | - | | ...37 | LB25M-LU25M LB2511M-LU400 L470M |
| 50 | ...39 | LB3511M | ...38 | LU35M-LB45 LU45 |

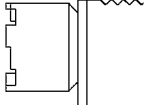
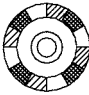
OKUMA Radial (Short) Drilling And Milling Heads



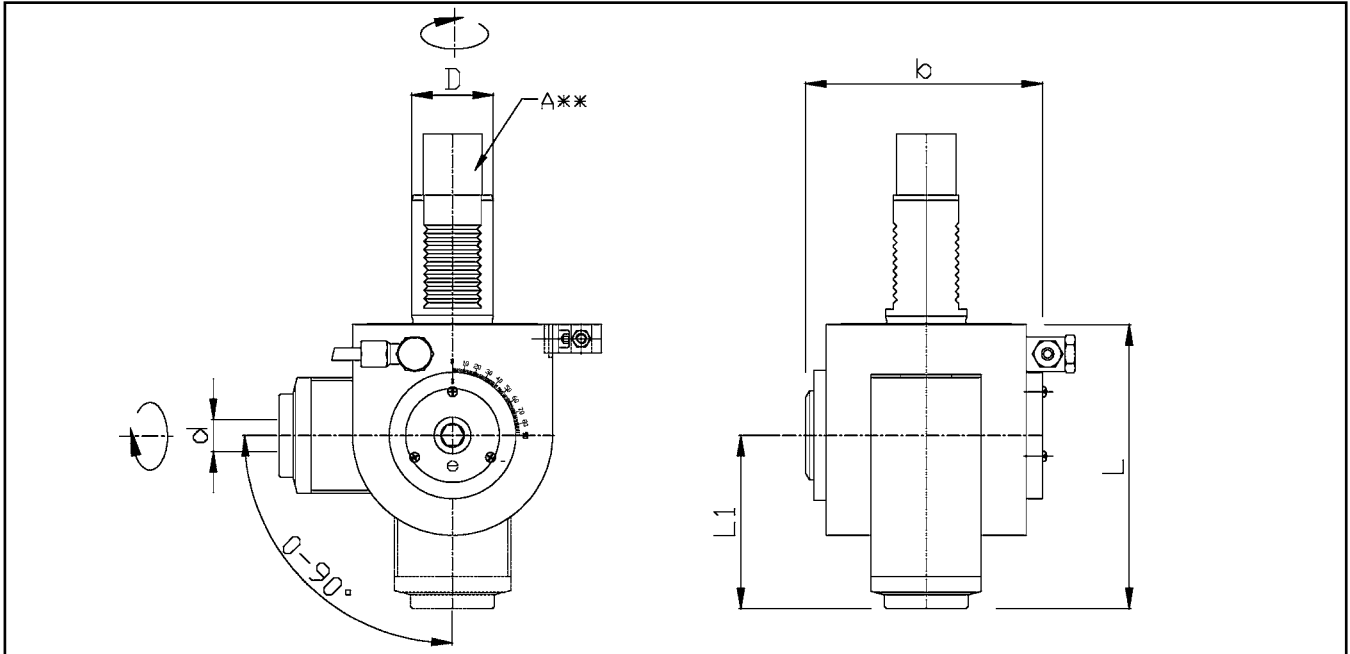
| ORDER NO. | D (mm) | d | L (mm) | L1 (mm) | b2 (mm) | RPM Max | Ratio | Nm | Kg. |
|-----------|--------|----------|--------|---------|---------|---------|-------|----|-----|
| TE30C1335 | 30 | ECX/ER20 | 106 | 70 | 48.5 | 6000 | 1:1 | 25 | 5.0 |
| TE40C2036 | 40 | ECX/ER32 | 130 | 86 | 40 | 6000 | 1:1 | 50 | 6.5 |
| TE40C2037 | 40 | ECX/ER32 | 130 | 86 | 40 | 6000 | 1:1 | 50 | 6.5 |





TAPPING HEAD (BLILZ)

| Drive A** |   | |
|--------------|--|--|
| | TYPE II | TYPE I |
| D (mm) | | |
| 30 | - | ...35 LB10M-LB1011M LR10M-LB200M |
| 40 | - | ...36 LB15M-LB1511M LB1511MY-LU15M LB300M-LB300MY LU300M-L370M LVT300M-LVT400M |
| 40 | - | ...37 LB25M-LU25M LB2511M-LU400 L470M |
| 50 | ...39 LB3511M | ...38 LU35M-LB45 LU45 |

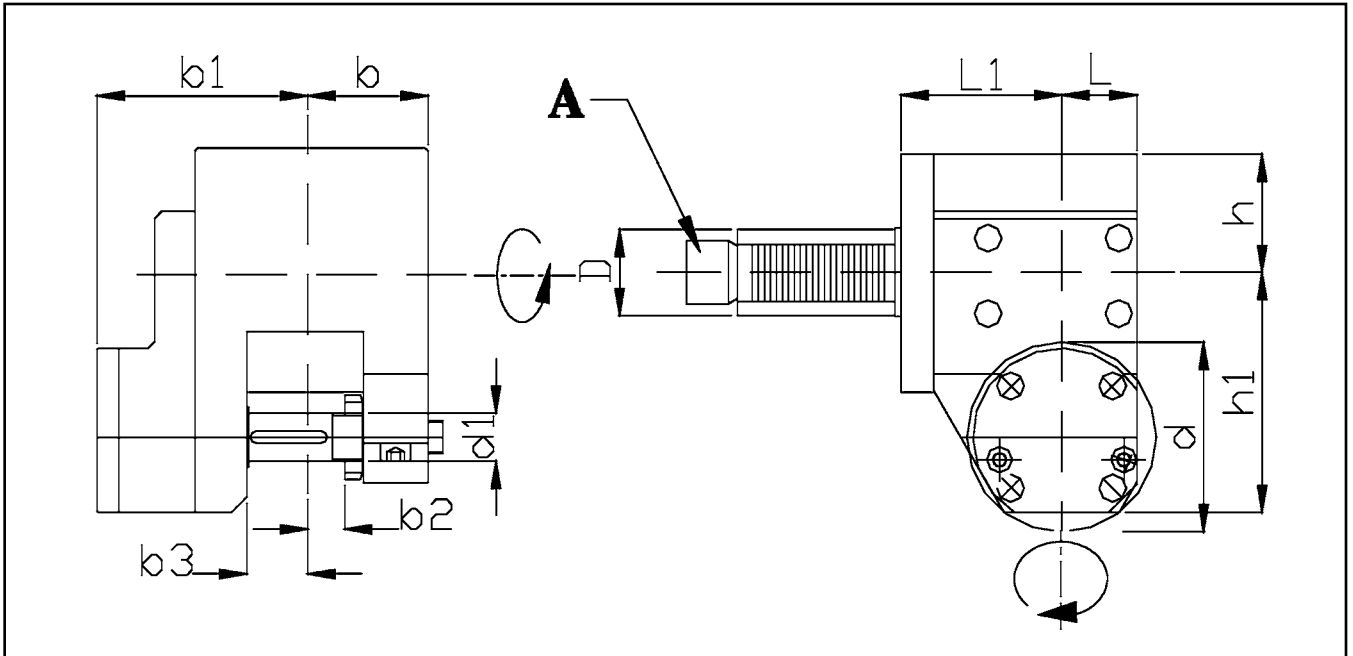
OKUMA Universal Angle Drilling-Milling Heads



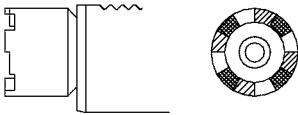
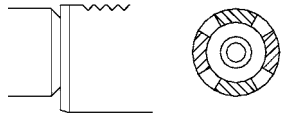
| ORDER NO. | D (mm) | d | L (mm) | L1 (mm) | b2 (mm) | RPM Max | Ratio | Nm | Kg. |
|-----------|--------|----------|--------|---------|---------|---------|-------|----|-----|
| TE30E1035 | 30 | ECX/ER16 | 120 | 76 | 92 | 6000 | 1:1 | 10 | 4.6 |
| HE40E1636 | 40 | ECX/ER25 | 140 | 85 | 116 | 6000 | 1:1 | 25 | 6.8 |
| HE40E1637 | 40 | ECX/ER25 | 140 | 85 | 116 | 6000 | 1:1 | 25 | 6.8 |

| Drive A** D (mm) |  TYPE II | |  TYPE I | |
|----------------------------|---|---------|---|-------------------------------|
| | 30 | - | ...35 | LB10M-LB1011M LR10M-LB200M |
| 40 | - | ...36 | LB15M-LB1511M LB1511MY-LU15M LB300M-LB300MY LU300M-L370M LVT300M-LVT400M | |
| 40 | - | ...37 | LB25M-LU25M LB2511M-LU400 L470M | |
| 50 | ...39 | LB3511M | ...38 | LU35M-LB45 LU45 |

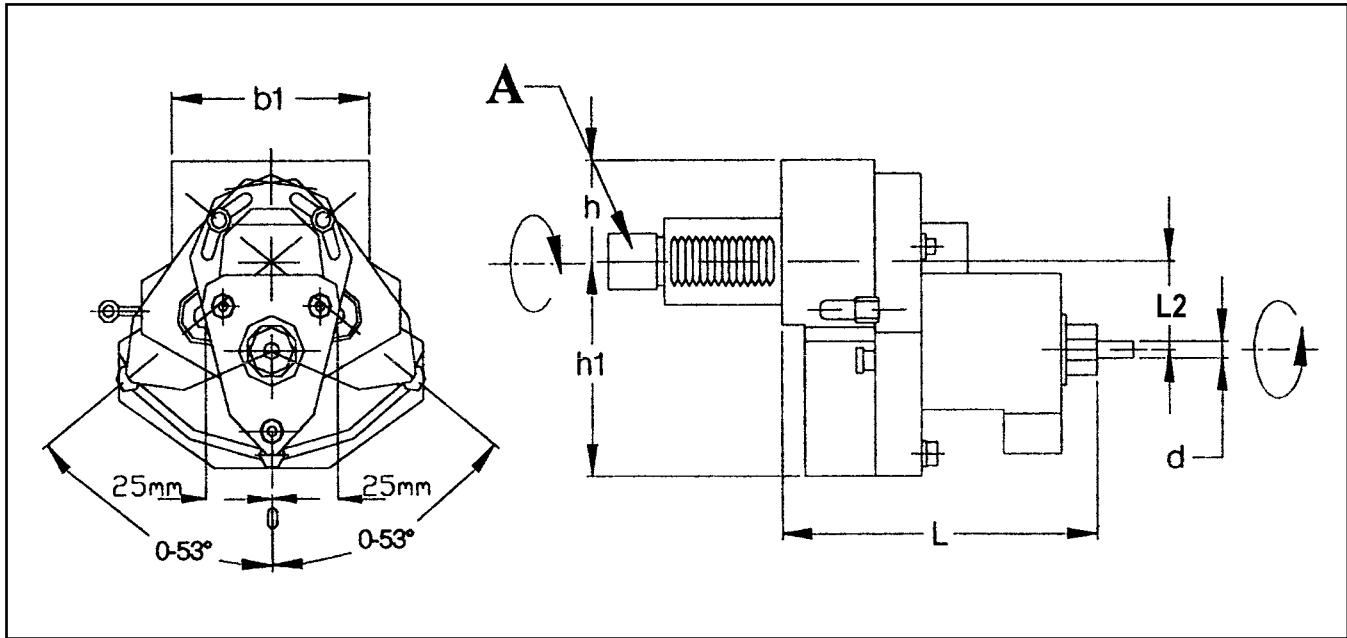
OKUMA Driven Tool For Slitting-Milling Cutters



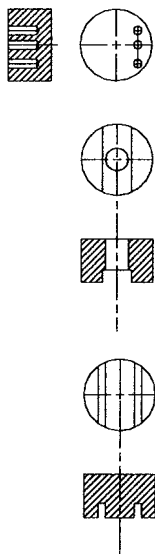
| ORDER NO. | D (mm) | d | d1 (mm) | h (mm) | h1 (mm) | L (mm) | L1 (mm) | b (mm) | b1 (mm) | b2 (mm) | RPM Max | Ratio | Nm | Kg. |
|-----------|--------|----------|---------|--------|---------|--------|---------|--------|---------|---------|---------|-------|----|-----|
| TD30V6335 | 30 | ECX/ER63 | 16 | 42 | 80 | 25 | 54 | 40 | 70 | 18 | 2000 | 1:1 | 25 | 5.5 |
| TD40V6336 | 40 | ECX/ER63 | 16 | 42 | 80 | 25 | 54 | 40 | 70 | 18 | 2000 | 1:1 | 25 | 6.5 |
| TD40V6337 | 40 | ECX/ER63 | 16 | 42 | 80 | 25 | 54 | 40 | 70 | 18 | 2000 | 1:1 | 25 | 6.5 |

| Drive A** D (mm) |  TYPE II | |  TYPE I | |
|---------------------|---|---------|---|-------------------------------|
| | 30 | — | ...35 | LB10M-LB1011M LR10M-LB200M |
| 40 | — | ...36 | LB15M-LB1511M LB1511MY-LU15M LB300M-LB300MY LU300M-L370M LVT300M-LVT400M | |
| 40 | — | ...37 | LB25M-LU25M LB2511M-LU400 L470M | |
| 50 | ...39 | LB3511M | ...38 | LU35M-LB45 LU45 |

OKUMA Axial Adjustable Y-Axis Drilling & Milling Heads



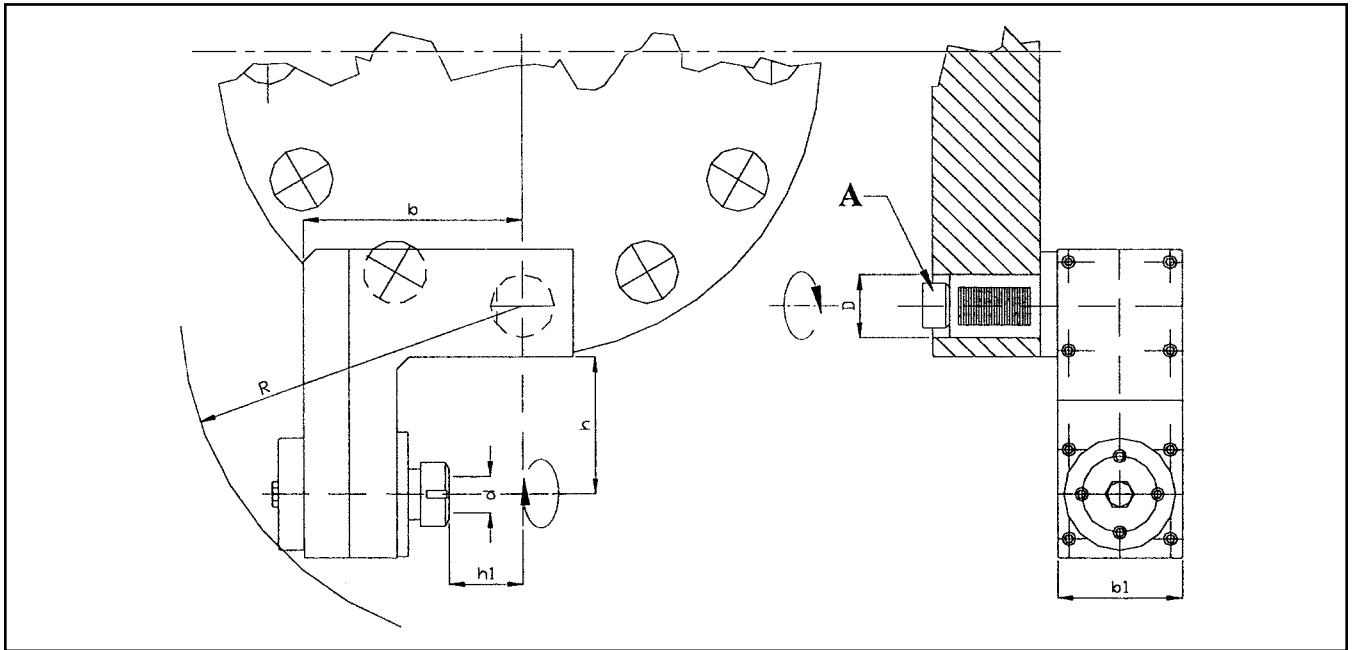
| ORDER NO. | D (mm) | d | L2 (mm) | L (mm) | h (mm) | h1 (mm) | b1 (mm) | RPM Max | Ratio | Nm |
|-----------|--------|----------|---------|--------|--------|---------|---------|---------|-------|----|
| TE30H1035 | 30 | ECX/ER16 | 31.5 | 120 | 40 | 75 | 80 | 6000 | 1:1 | 25 |
| TE40H1036 | 40 | ECX/ER16 | 31.5 | 120 | 40 | 75 | 80 | 6000 | 1:1 | 25 |
| TE40H1036 | 40 | ECX/ER16 | 31.5 | 120 | 40 | 75 | 80 | 6000 | 1:1 | 25 |



TAPPING HEAD (BLILZ)

| Drive A** D (mm) | TYPE II | | TYPE I | |
|---------------------|---------|---------|--|-------------------------------|
| | 30 | - | ...35 | LB10M-LB1011M LR10M-LB200M |
| 40 | - | ...36 | LB15M-LB1511M LB1511MY-LU15M LB300M-LB300MY LU300M-L370M LVT300M-LVT400M | |
| 40 | - | ...37 | LB25M-LU25M LB2511M-LU400 L470M | |
| 50 | ...39 | LB3511M | ...38 | LU35M-LB45 LU45 |

OKUMA Radial Adjustable Y-Axis & Milling Heads



| ORDER NO. | D (mm) | d | R (mm) | h (mm) | h1 (mm) | b (mm) | b1 (mm) | RPM Max | Ratio | Nm | Kg. |
|-----------|--------|----------|--------|--------|---------|--------|---------|---------|-------|----|-----|
| TE30D1035 | 30 | ECX/ER20 | 170 | 45 | 25 | 140 | 70 | 4500 | 1:1 | 25 | 7.0 |
| TE40D1036 | 40 | ECX/ER32 | 200 | 80 | 30 | 140 | 80 | 4500 | 1:1 | 50 | 8.3 |
| TE40D1036 | 40 | ECX/ER32 | 200 | 80 | 30 | 140 | 80 | 4500 | 1:1 | 50 | 8.3 |

| Drive A** | D (mm) | | TYPE II | | TYPE I | |
|-----------|--------|---|---------|---------------------------------------|--------|--|
| | | | | | | |
| | 30 | - | ...35 | LB10M-LB1011M LR10M-LB200M | ...36 | LB15M-LB1511M LB1511MY-LU15M LB300M-LB300MY LU300M-L370M LVT300M-LVT400M |
| | 40 | - | ...37 | LB25M-LU25M LB2511M-LU400 L470M | ...38 | LU35M-LB45 LU45 |
| | 40 | - | ...39 | LB3511M | | |

WORKING EXAMPLE