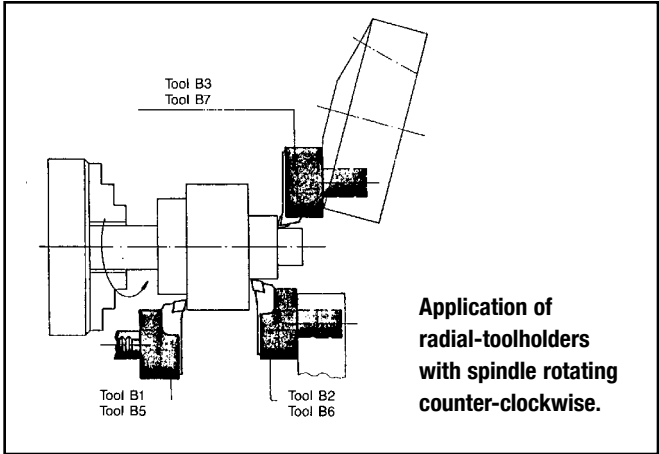
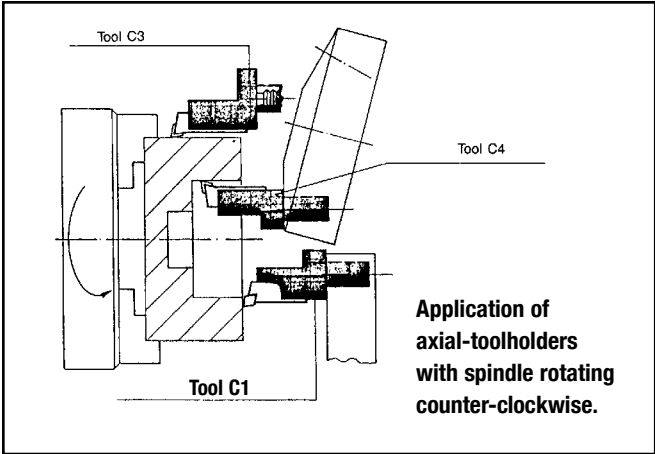
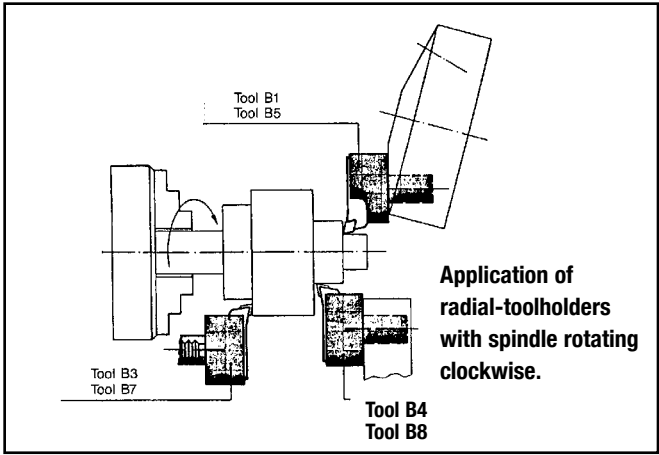
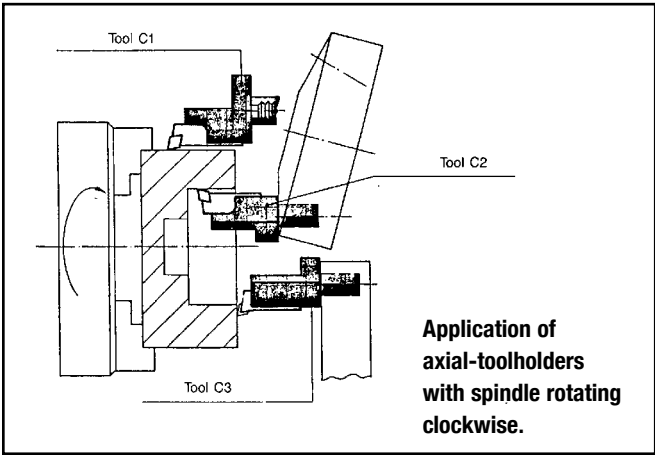


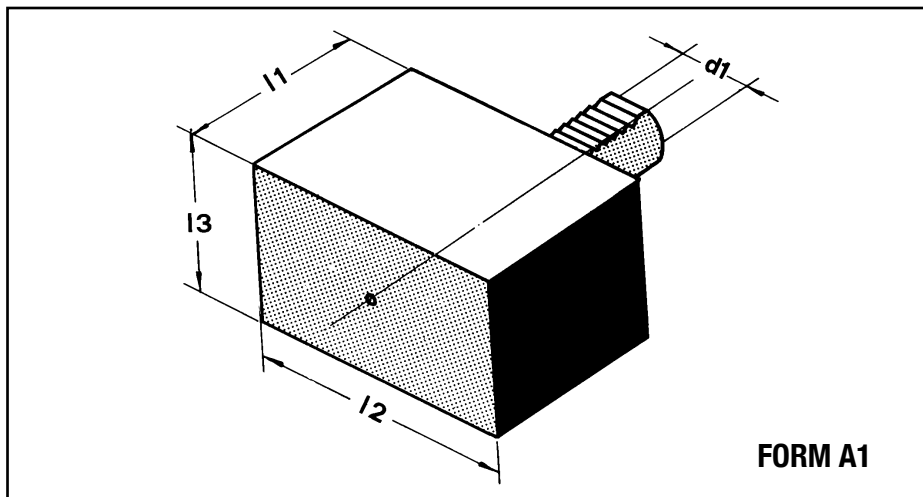
VDI Toolholders



VDI Toolholders

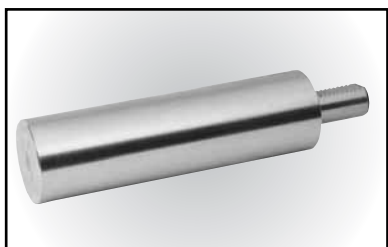


Toolholder with parallel shank for special versions, rectangular

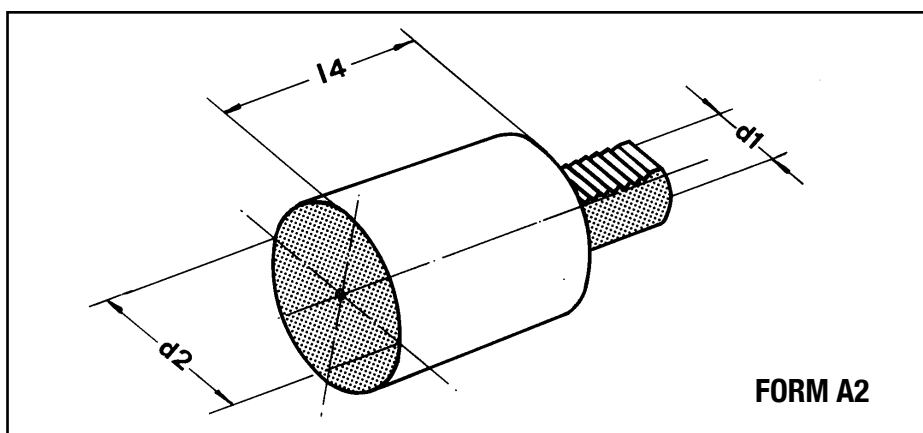


FORM A1

Order No.	Device Type	Dimensions			
		d ₁	l ₁	l ₂	l ₃
A12065	A1 20 x 65	20	65	100	60
A13085	A1 30 x 85	30	85	130	76
A140100	A1 40 x 100	40	100	151	96
A150125	A1 50 x 125	50	125	160	120
A160150	A1 60 x 150	60	150	165	125
A180200	A1 80 x 200	80	200	220	160



Toolholder with parallel shank for special versions, round



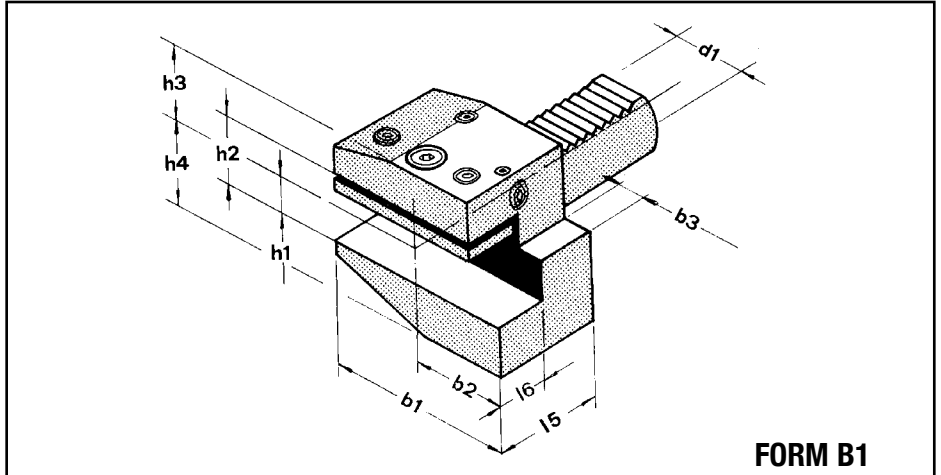
FORM A2

Order No.	Device Type	Dimensions		
		d ₁	d ₂	l ₄
A22070	A2 20 x 70	20	50	70
A230100	A2 30 x 100	30	68	100
A230240	A2 30 x 240	30	68	240
A240120	A2 40 x 120	40	83	120
A240320	A2 40 x 320	40	83	320
A250135	A2 50 x 135	50	98	135
A250400	A2 50 x 400	50	98	400
A260150	A2 60 x 150	60	123	150
A260480	A2 60 x 480	60	123	480
A280500	A2 80 x 500	80	158	500

VDI Toolholders



Toolholder with parallel shank and transversal rectangular seat, right-hand short

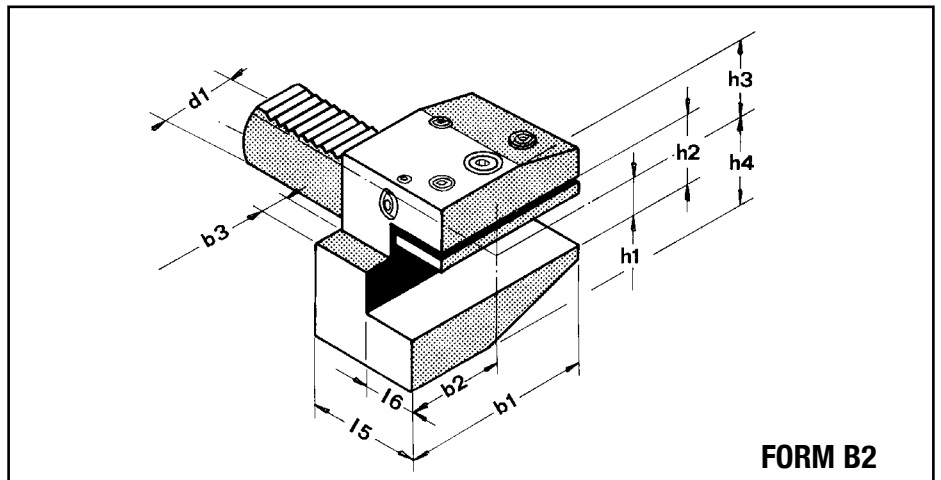


FORM B1

Order No.	Device Type	Dimensions									
		d ₁	b ₁	b ₂	b ₃	h ₁	h ₂	h ₃	h ₄	l ₅	l ₆
B12062530	B1 20 x 5/8 x 30	20	55	30	7	5/8	22	25	30	30	14
B12062540	B1 20 x 5/8 x 40	20	55	30	7	5/8	22	25	30	40	14
B13075040	B1 30 x 3/4 x 40	30	70	35	10	3/4	29	28	38	40	18
B13075060	B1 30 x 3/4 x 60	30	70	35	10	3/4	29	28	38	60	18
B140100044	B1 40 x 1 x 44	40	85	42.5	12.5	1	34	32.5	48	44	22
B150125055	B1 50 x 1-1/4 x 55	50	100	50	16	1-1/4	41	35	60	55	25
B160125060	B1 60 x 1-1/4 x 60	60	125	62.5	16	1-1/4	41	42.5	62.5	60	30
B180150075	B1 80 x 1-1/2 x 75	80	160	80	20	1-1/2	53	55	80	75	35



Toolholder with parallel shank and transversal rectangular seat, left-hand short



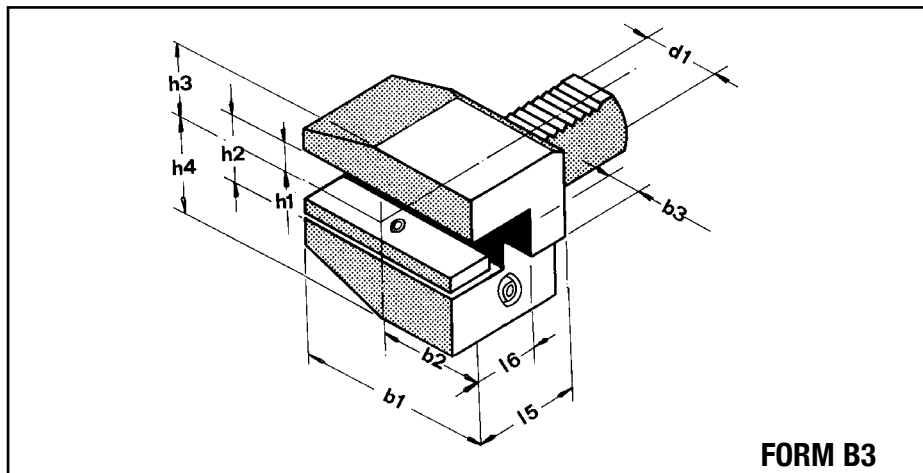
FORM B2

Order No.	Device Type	Dimensions									
		d ₁	b ₁	b ₂	b ₃	h ₁	h ₂	h ₃	h ₄	l ₅	l ₆
B22062530	B2 20 x 5/8 x 30	20	55	30	7	5/8	22	25	30	30	14
B22062540	B2 20 x 5/8 x 40	20	55	30	7	5/8	22	25	30	40	14
B23075040	B2 30 x 3/4 x 40	30	70	35	10	3/4	29	28	38	40	18
B23075060	B2 30 x 3/4 x 60	30	70	35	10	3/4	29	28	38	60	18
B240100044	B2 40 x 1 x 44	40	85	42.5	12.5	1	34	32.5	48	44	22
B250125055	B2 50 x 1-1/4 x 55	50	100	50	16	1-1/4	41	35	60	55	25
B260125060	B2 60 x 1-1/4 x 60	60	125	62.5	16	1-1/4	41	42.5	62.5	60	30
B280150075	B2 80 x 1-1/2 x 75	80	160	80	20	1-1/2	53	55	80	75	35

VDI Toolholders



Toolholder with parallel shank and transversal rectangular seat, upside-down, right-hand short

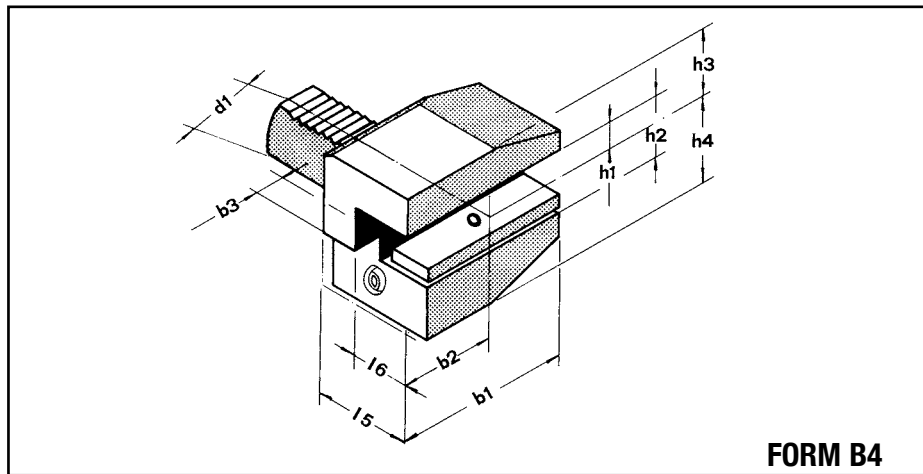


FORM B3

Order No.	Device Type	Dimensions									
		d ₁	b ₁	b ₂	b ₃	h ₁	h ₂	h ₃	h ₄	l ₅	l ₆
B32062530	B3 20 x 5/8 x 30	20	55	30	7	5/8	22	30	25	30	14
B32062540	B3 20 x 5/8 x 40	20	55	30	7	5/8	22	30	25	40	14
B33075040	B3 30 x 3/4 x 40	30	70	35	10	3/4	29	38	35	40	18
B33075060	B3 30 x 3/4 x 60	30	70	35	10	3/4	29	38	35	60	18
B340100044	B3 40 x 1 x 44	40	85	42.5	12.5	1	34	48	42.5	44	22
B350125055	B3 50 x 1-1/4 x 55	50	100	50	16	1-1/4	41	60	50	55	25
B360125060	B3 60 x 1-1/4 x 60	60	125	62.5	16	1-1/4	41	62.5	62.5	60	30
B380150075	B3 80 x 1-1/2 x 75	80	160	80	20	1-1/2	53	80	80	75	35



Toolholder with parallel shank and transversal rectangular seat, upside-down, left-hand short



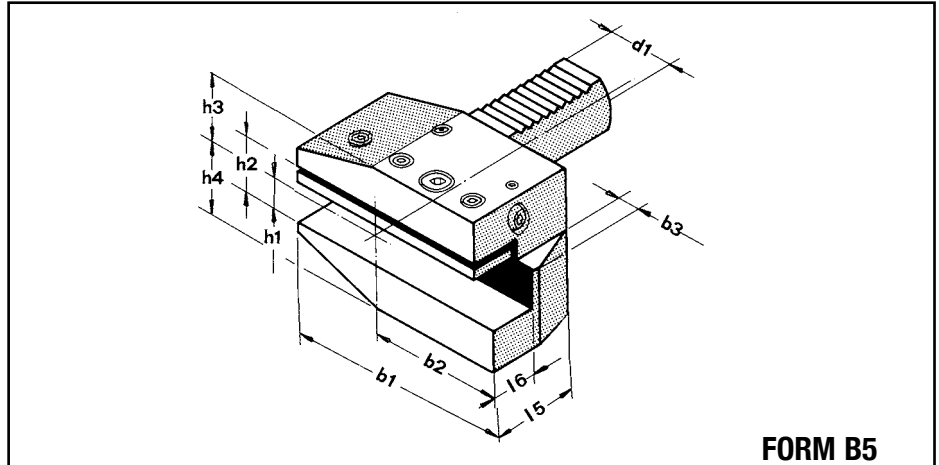
FORM B4

Order No.	Device Type	Dimensions									
		d ₁	b ₁	b ₂	b ₃	h ₁	h ₂	h ₃	h ₄	l ₅	l ₆
B42062530	B4 20 x 5/8 x 30	20	55	30	7	5/8	22	30	25	30	14
B42062540	B4 20 x 5/8 x 40	20	55	30	7	5/8	22	30	25	40	14
B43075040	B4 30 x 3/4 x 40	30	70	35	10	3/4	29	38	35	40	18
B43075060	B4 30 x 3/4 x 60	30	70	35	10	3/4	29	38	35	60	18
B440100044	B4 40 x 1 x 44	40	85	42.5	12.5	1	34	48	42.5	44	22
B450125055	B4 50 x 1-1/4 x 55	50	100	50	16	1-1/4	41	60	50	55	25
B460125060	B4 60 x 1-1/4 x 60	60	125	62.5	16	1-1/4	41	62.5	62.5	60	30
B480150075	B4 80 x 1-1/2 x 75	80	160	80	20	1-1/2	53	80	80	75	35

VDI Toolholders

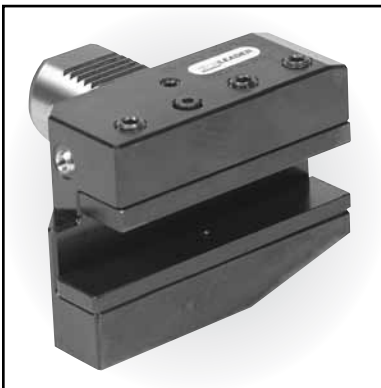


Toolholder with parallel shank and transversal seat, right-hand long

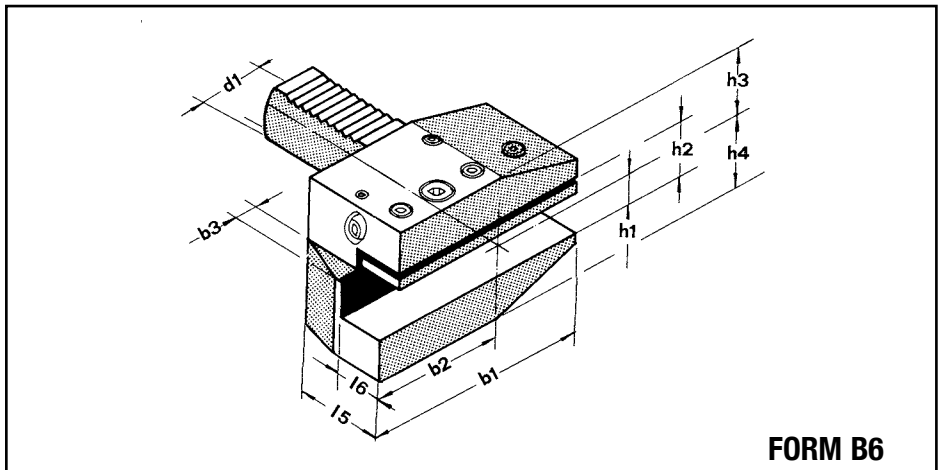


FORM B5

Order No.	Device Type	Dimensions									
		d ₁	b ₁	b ₂	b ₃	h ₁	h ₂	h ₃	h ₄	l ₅	l ₆
B52062530	B5 20 x 5/8 x 30	20	75	50	7	5/8	22	25	30	30	14
B52062540	B5 20 x 5/8 x 40	20	75	50	7	5/8	22	25	30	40	14
B53075040	B5 30 x 3/4 x 40	30	100	65	10	3/4	29	28	38	40	18
B53075060	B5 30 x 3/4 x 60	30	100	65	10	3/4	29	28	38	60	18
B540100044	B5 40 x 1 x 44	40	118	75.5	12.5	1	34	32.5	48	44	22
B550125055	B5 50 x 1-1/4 x 55	50	130	80	16	1-1/4	41	35	60	55	25
B560125060	B5 60 x 1-1/4 x 60	60	145	82.5	16	1-1/4	41	42.5	62.5	60	30
B580150075	B5 80 x 1-1/2 x 75	80	190	110	20	1-1/2	53	55	80	75	35



Toolholder with parallel shank and transversal rectangular seat, left-hand long



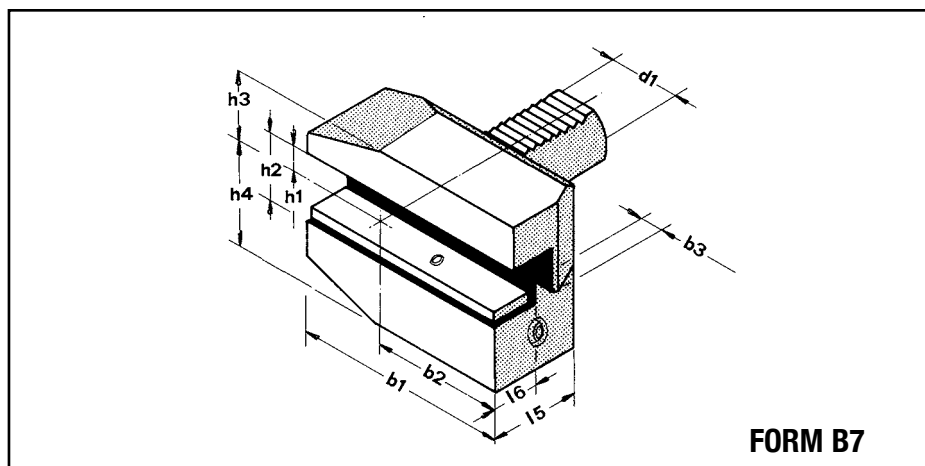
FORM B6

Order No.	Device Type	Dimensions									
		d ₁	b ₁	b ₂	b ₃	h ₁	h ₂	h ₃	h ₄	l ₅	l ₆
B62062530	B6 20 x 5/8 x 30	20	75	50	7	5/8	22	25	30	30	14
B62062540	B6 20 x 5/8 x 40	20	75	50	7	5/8	22	25	30	40	14
B63075040	B6 30 x 3/4 x 40	30	100	65	10	3/4	29	28	38	40	18
B63075060	B6 30 x 3/4 x 60	30	100	65	10	3/4	29	28	38	60	18
B640100044	B6 40 x 1 x 44	40	118	75.5	12.5	1	34	32.5	48	44	22
B650125055	B6 50 x 1-1/4 x 55	50	130	80	16	1-1/4	41	35	60	55	25
B660125060	B6 60 x 1-1/4 x 60	60	145	82.5	16	1-1/4	41	42.5	62.5	60	30
B680150075	B6 80 x 1-1/2 x 75	80	190	110	20	1-1/2	53	55	80	75	35

VDI Toolholders



Toolholder with parallel shank and transversal rectangular seat, upside-down, right-hand long.

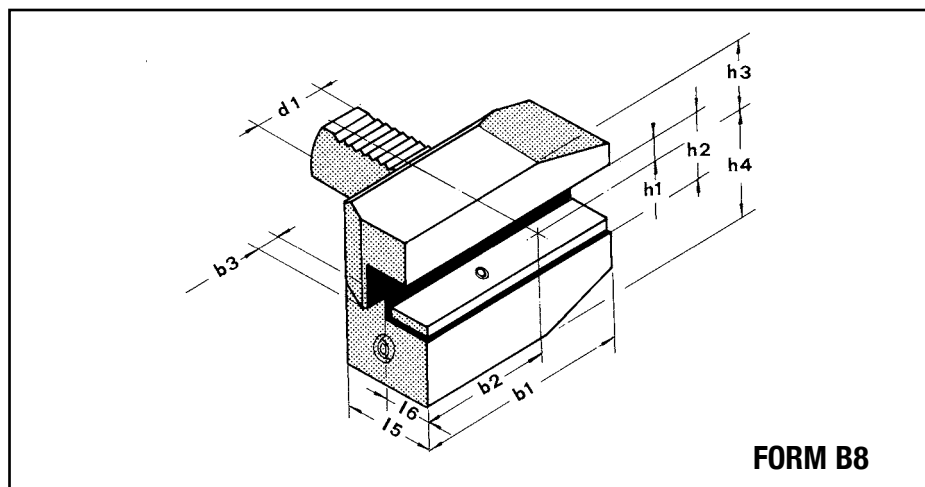


FORM B7

Order No.	Device Type	Dimensions									
		d ₁	b ₁	b ₂	b ₃	h ₁	h ₂	h ₃	h ₄	l ₅	l ₆
B72062530	B7 20 x 5/8 x 30	20	75	50	7	5/8	22	30	25	30	14
B72062540	B7 20 x 5/8 x 40	20	75	50	7	5/8	22	30	25	40	14
B73075040	B7 30 x 3/4 x 40	30	100	65	10	3/4	29	38	35	40	18
B73075060	B7 30 x 3/4 x 60	30	100	65	10	3/4	29	38	35	60	18
B740100044	B7 40 x 1 x 44	40	118	75.5	12.5	1	34	48	42.5	44	22
B750125055	B7 50 x 1-1/4 x 55	50	130	80	16	1-1/4	41	60	50	55	25
B760125060	B7 60 x 1-1/4 x 60	60	145	82.5	16	1-1/4	41	62.5	62.5	60	30
B780150075	B7 80 x 1-1/2 x 75	80	190	110	20	1-1/2	53	80	80	75	35



Toolholder with parallel shank and transversal rectangular seat, upside-down, left-hand long.



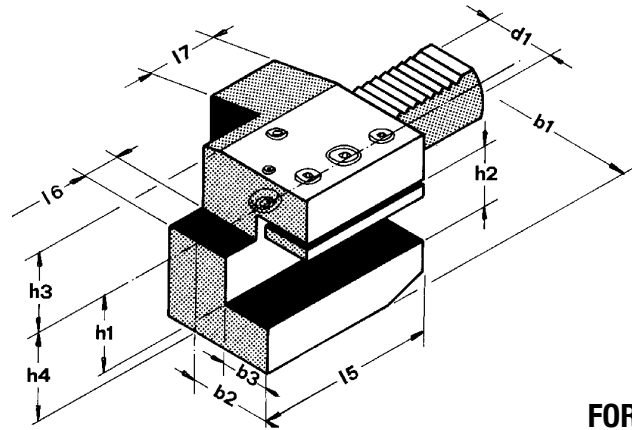
FORM B8

Order No.	Device Type	Dimensions									
		d ₁	b ₁	b ₂	b ₃	h ₁	h ₂	h ₃	h ₄	l ₅	l ₆
B82062530	B8 20 x 5/8 x 30	20	75	50	7	5/8	22	30	25	30	14
B82062540	B8 20 x 5/8 x 40	20	75	50	7	5/8	22	30	25	40	14
B83075040	B8 30 x 3/4 x 40	30	100	65	10	3/4	29	38	35	40	18
B83075060	B8 30 x 3/4 x 60	30	100	65	10	3/4	29	38	35	60	18
B840100044	B8 40 x 1 x 44	40	118	75.5	12.5	1	34	48	42.5	44	22
B850125055	B8 50 x 1-1/4 x 55	50	130	80	16	1-1/4	41	60	50	55	25
B860125060	B8 60 x 1-1/4 x 60	60	145	82.5	16	1-1/4	41	62.5	62.5	60	30
B880150075	B8 80 x 1-1/2 x 75	80	190	110	20	1-1/2	53	80	80	75	35

VDI Toolholders



Toolholder with parallel shank and longitudinal rectangular seat, right-hand

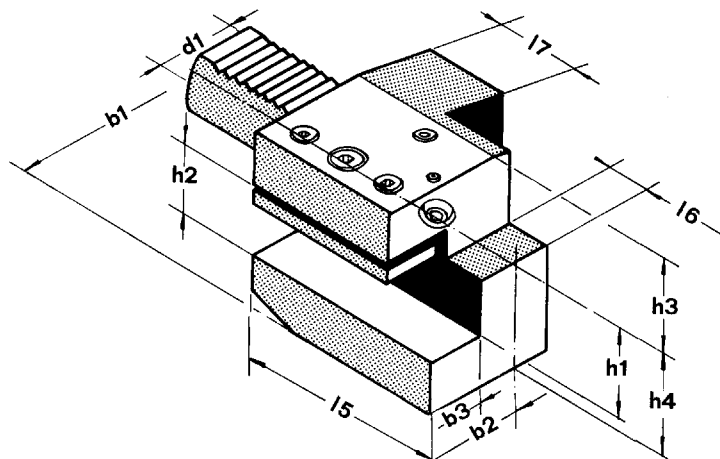


FORM C1

Order No.	Device Type	Dimensions										
		d ₁	b ₁	b ₂	b ₃	h ₁	h ₂	h ₃	h ₄	l ₅	l ₆	l ₇
C120625	C1 20 x 5/8	20	52	27	14	5/8	22	25	30	55	7	30
C120625W	C1 20 x 5/8 W	20	65	40	14	5/8	22	25	30	50	-	30
C130750	C1 30 x 3/4	30	70	35	18	3/4	29	28	38	70	10	30
C1401000	C1 40 x 1	40	85	42.5	22	1	34	32.5	48	85	12.5	30
C1501250	C1 50 x 1-1/4	50	100	50	24.5	1-1/4	41	35	60	100	16	40
C1601250	C1 60 x 1-1/4	60	125	62.5	30	1-1/4	41	42.5	62.5	125	16	40
C1801500	C1 80 x 1-1/2	80	160	80	39	1-1/2	53	55	80	160	20	40



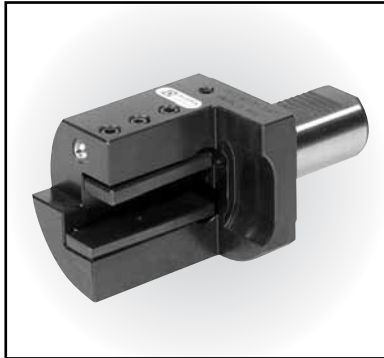
Toolholder with parallel shank and longitudinal rectangular seat, left-hand



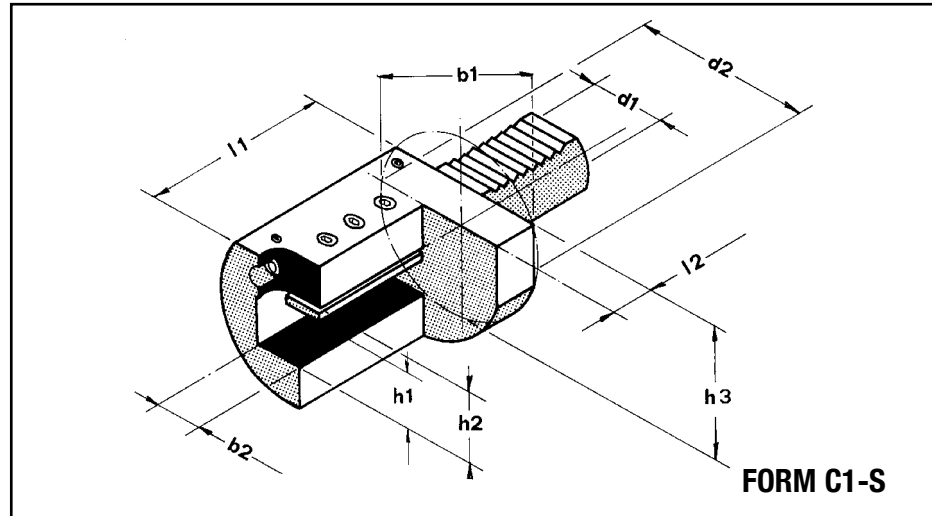
FORM C2

Order No.	Device Type	Dimensions										
		d ₁	b ₁	b ₂	b ₃	h ₁	h ₂	h ₃	h ₄	l ₅	l ₆	l ₇
C220625	C2 20 x 5/8	20	65	40	14	5/8	22	25	30	50	-	30
C230750	C2 30 x 3/4	30	76	41	18	3/4	29	28	38	70	10	30
C2401000	C2 40 x 1	40	90	47.5	22	1	34	32.5	48	85	12.5	30
C2501250	C2 50 x 1-1/4	50	105	55	24.5	1-1/4	41	35	60	100	16	40
C2601250	C2 60 x 1-1/4	60	125	62.5	30	1-1/4	41	42.5	62.5	125	16	40
C2801500	C2 80 x 1-1/2	80	160	78	37	1-1/2	53	55	80	160	20	40

VDI Toolholders

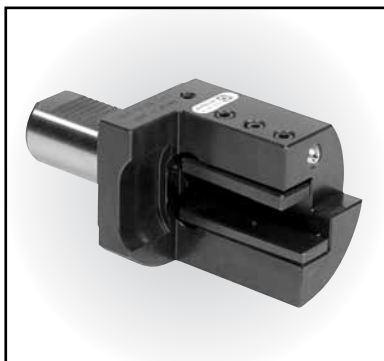


Toolholder with parallel shank and longitudinal rectangular seat, right-hand special

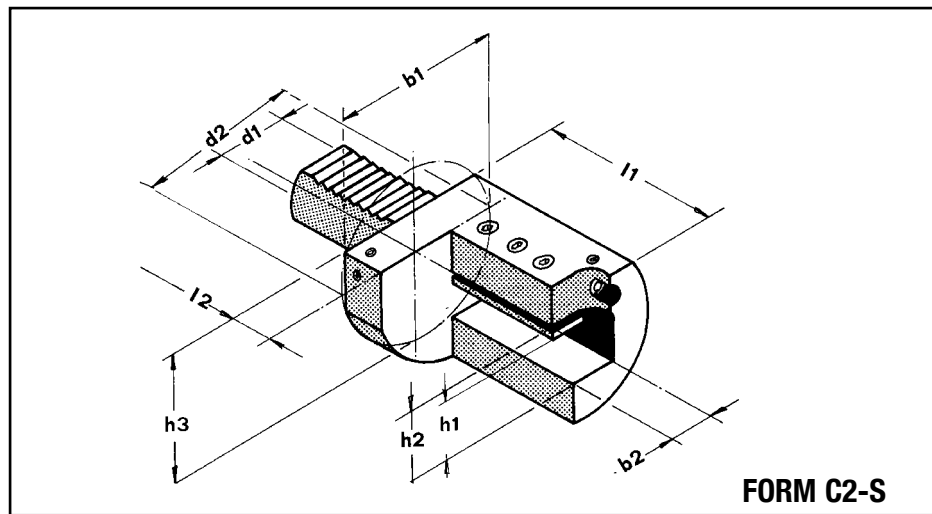


Order No.	Device Type	Dimensions								
		d ₁	d ₂	b ₁	b ₂	h ₁	h ₂	h ₃	l ₁	l ₂
C1S30750	C1-S 30 x 3/4	30	83	69.5	18	3/4	29	69.5	70	18
C1S401000	C1-S 40 x 1	40	98	84	22	1	34	84	100	22
C1S501250	C1-S 50 x 1-1/4	50	123	104	25	1-1/4	41	104	120	22
C1S601250	C1-S 60 x 1-1/4	60	123	104	32	1-1/4	41	104	135	25
C1S801500	C1-S 80 x 1-1/2	80	158	134	40	1-1/2	49	134	140	30

All rights of modification reserved.



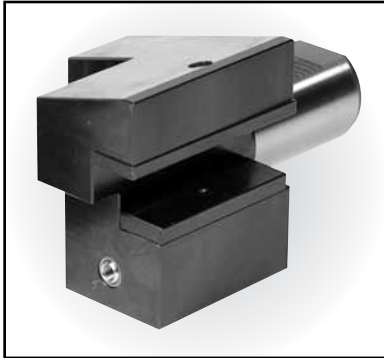
Toolholder with parallel shank and longitudinal rectangular seat, left-hand special



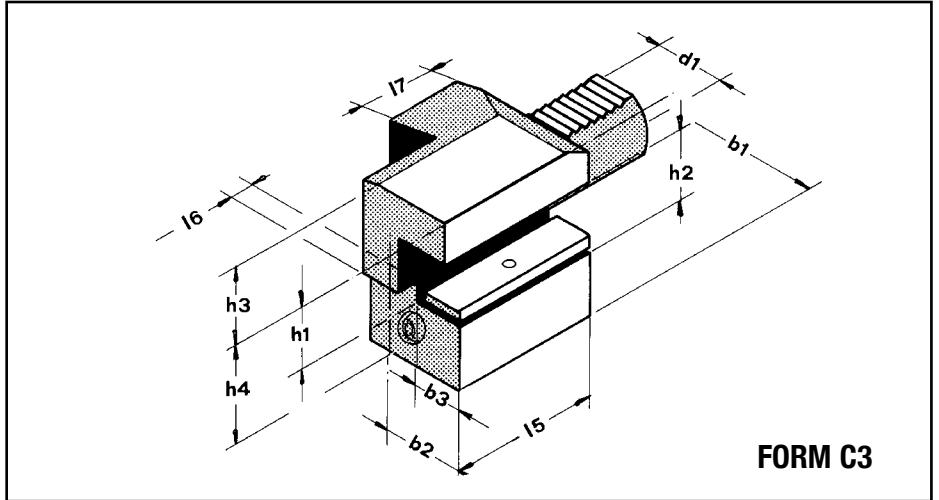
Order No.	Device Type	Dimensions								
		d ₁	d ₂	b ₁	b ₂	h ₁	h ₂	h ₃	l ₁	l ₂
C2S30750	C2-S 30 x 3/4	30	83	69.5	18	3/4	29	69.5	70	18
C2S401000	C2-S 40 x 1	40	98	84	22	1	34	84	100	22
C2S501250	C2-S 50 x 1-1/4	50	123	104	25	1-1/4	41	104	120	22
C2S601250	C2-S 60 x 1-1/4	60	123	104	32	1-1/4	41	104	135	25
C2S801500	C2-S 80 x 1-1/2	80	158	134	40	1-1/2	49	134	140	30

All rights of modification reserved.

VDI Toolholders



Toolholder with parallel shank and longitudinal rectangular seat, upside-down, right-hand

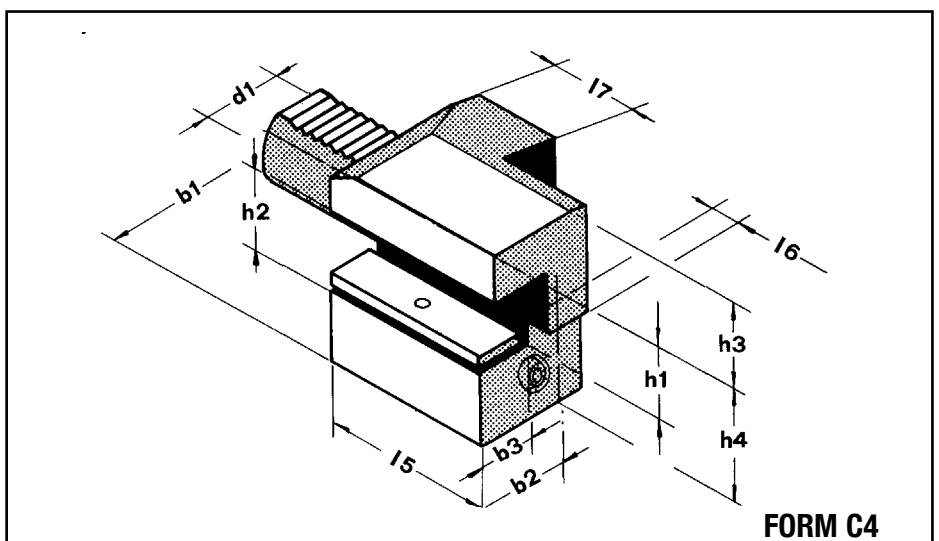


FORM C3

Order No.	Device Type	Dimensions										
		d ₁	b ₁	b ₂	b ₃	h ₁	h ₂	h ₃	h ₄	l ₅	l ₆	l ₇
C320625	C3 20 x 5/8	20	52	27	14	5/8	22	30	25	55	7	30
C320605W	C3 20 x 5/8 W	20	65	40	14	5/8	22	30	25	50	-	30
C330750	C3 30 x 3/4	30	70	35	18	3/4	29	38	35	70	10	30
C3401000	C3 40 x 1	40	85	42.5	22	1	34	48	42.5	85	12.5	30
C3501250	C3 50 x 1-1/4	50	100	50	24.5	1-1/4	41	60	50	100	16	40
C3601250	C3 60 x 1-1/4	60	125	62.5	30	1-1/4	41	62.5	62.5	125	16	40
C3801500	C3 80 x 1-1/2	80	160	80	39	1-1/2	53	80	80	160	20	40



Toolholder with parallel shank and longitudinal rectangular seat, upside-down, left-hand

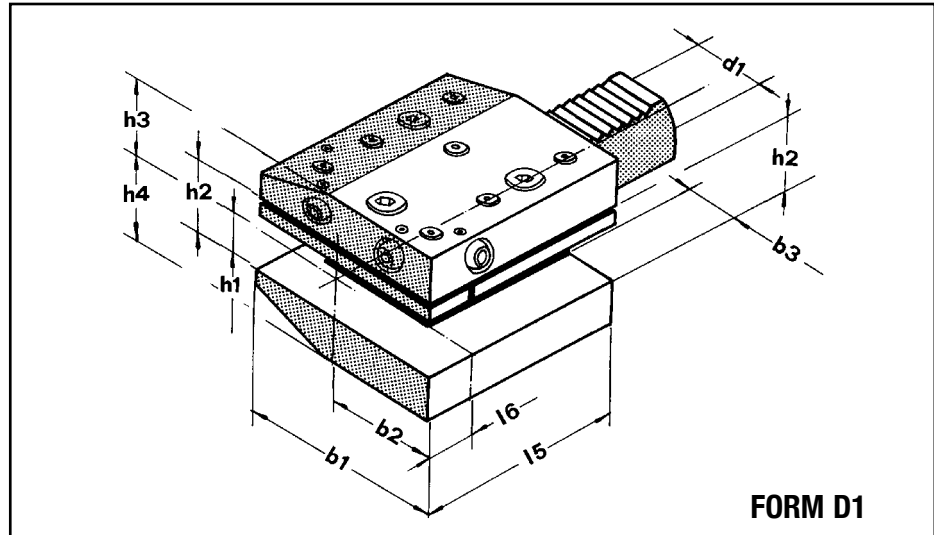


FORM C4

Order No.	Device Type	Dimensions										
		d ₁	b ₁	b ₂	b ₃	h ₁	h ₂	h ₃	h ₄	l ₅	l ₆	l ₇
C420625	C4 20 x 5/8	20	65	40	14	5/8	22	30	25	50	-	30
C430750	C4 30 x 3/4	30	76	41	18	3/4	29	38	35	70	10	30
C4401000	C4 40 x 1	40	90	47.5	22	1	34	48	42.5	85	12.5	30
C4501250	C4 50 x 1-1/4	50	105	55	24.5	1-1/4	41	60	50	100	16	40
C4601250	C4 60 x 1-1/4	60	125	62.5	30	1-1/4	41	62.5	62.5	125	16	40
C4801500	C4 80 x 1-1/2	80	160	78	37	1-1/2	53	80	80	160	20	40

VDI Toolholders

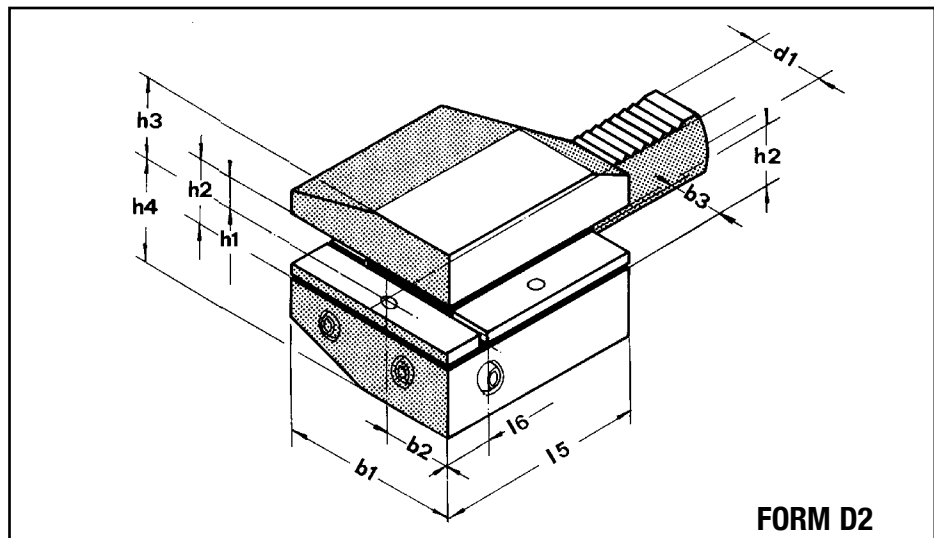
Toolholder with parallel shank and multiple rectangular seats



Order No.	Device Type	Dimensions									
		d ₁	b ₁	b ₂	b ₃	h ₁	h ₂	h ₃	h ₄	l ₅	l ₆
D130750	D1 30 x 3/4	30	70	35	14.5	3/4	29	28	38	60	25
D1401000	D1 40 x 1	40	85	42.5	19.5	1	34	32.5	48	72.5	30
D1501250	D1 50 x 1-1/4	50	100	50	24.5	1-1/4	45	35	60	84	34
D1601250	D1 60 x 1-1/4	60	125	62.5	30	1-1/4	34	42.5	62.5	109	46.5
D1801500	D1 80 x 1-1/2	80	160	80	39	1-1/2	45	55	80	140	60

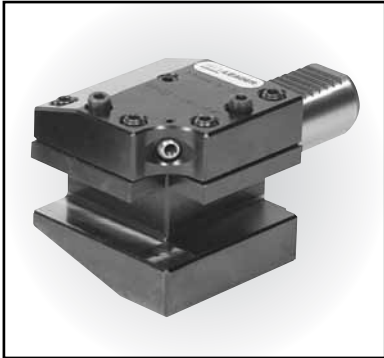


Toolholder with parallel shank and multiple rectangular seats, upside-down

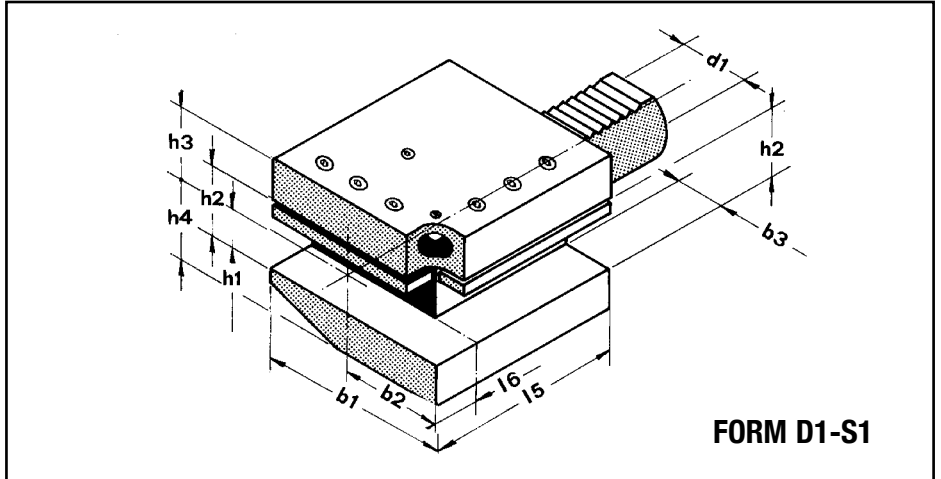


Order No.	Device Type	Dimensions									
		d ₁	b ₁	b ₂	b ₃	h ₁	h ₂	h ₃	h ₄	l ₅	l ₆
D230750	D2 30 x 3/4	30	70	35	14.5	3/4	29	38	35	60	25
D2401000	D2 40 x 1	40	85	42.5	19.5	1	34	48	42.5	72.5	30
D2501250	D2 50 x 1-1/4	50	100	50	24.5	1-1/4	45	60	50	84	34
D2601250	D2 60 x 1-1/4	60	125	62.5	30	1-1/4	34	62.5	62.5	109	46.5
D2801500	D2 80 x 1-1/2	80	160	80	39	1-1/2	45	80	80	140	60

VDI Toolholders



Toolholder with parallel shank and multiple rectangular seats, right-hand special



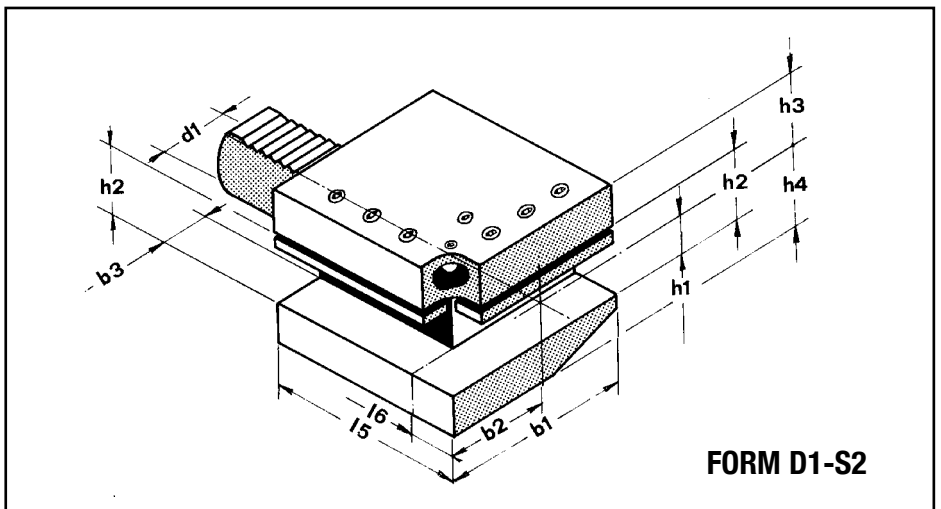
FORM D1-S1

Order No.	Device Type	Dimensions									
		d ₁	b ₁	b ₂	b ₃	h ₁	h ₂	h ₃	h ₄	l ₅	l ₆
D1S120625	D1-S1 20 x 5/8	20	55	30	14	5/8	22	25	30	55	14
D1S130750	D1-S1 30 x 3/4	30	70	35	18	3/4	29	28	38	70	18
D1S1401000	D1-S1 40 x 1	40	85	42.5	22	1	34	32.5	48	85	22
D1S1501250	D1-S1 50 x 1-1/4	50	100	50	25	1-1/4	41	35	60	120	25
D1S1601250	D1-S1 60 x 1-1/4	60	125	62.5	30	1-1/4	41	42.5	62.5	135	30
D1S1801500	D1-S1 80 x 1-1/2	80	160	80	39	1-1/2	53	55	80	160	35

All rights of modification reserved



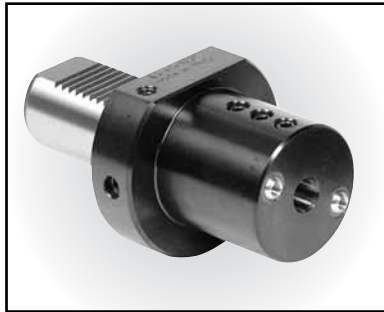
Toolholder with parallel shank and multiple rectangular seats, left-hand special



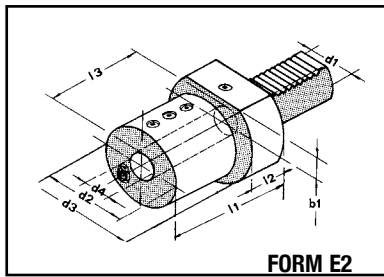
FORM D1-S2

Order No.	Device Type	Dimensions									
		d ₁	b ₁	b ₂	b ₃	h ₁	h ₂	h ₃	h ₄	l ₅	l ₆
D1S220625	D1-S2 20 x 5/8	20	55	30	14	5/8	22	25	30	55	14
D1S230750	D1-S2 30 x 3/4	30	76	41	18	3/4	29	28	38	70	18
D1S2401000	D1-S2 40 x 1	40	90	47.5	22	1	34	32.5	48	85	22
D1S2501250	D1-S2 50 x 1-1/4	50	105	55	25	1-1/4	41	35	60	120	25
D1S2601250	D1-S2 60 x 1-1/4	60	125	62.5	30	1-1/4	41	42.5	62.5	135	30
D1S2801500	D1-S2 80 x 1-1/2	80	160	80	37	1-1/2	53	55	80	160	35

VDI Toolholders



Toolholder with parallel shank for boring tools



**Coolant Flow
External and Internal
on these Holders**

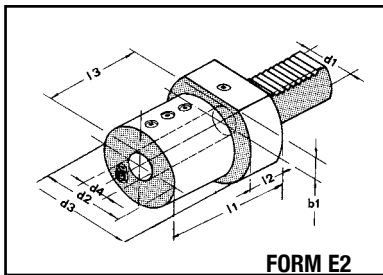
**See pages 4-16 for
reducing bushings**

Order No.	Device Type	Dimensions							
		d ₁	d ₂	d ₃	d ₄	b ₁	l ₁	l ₂	l ₃
E220250	E2 20 x 1/4	20	40	50	1/4	-	50	18	41
E220375	E2 20 x 3/8	20	40	50	3/8	-	50	18	41
E220500	E2 20 x 1/2	20	40	50	1/2	-	50	18	41
E220625	E2 20 x 5/8	20	40	50	5/8	-	50	18	41
E220750	E2 20 x 3/4	20	50	50	3/4	-	50	18	41
E2201000	E2 20 x 1	20	50	50	1	-	60	18	51
E230250	E2 30 x 1/4	30	55	68	1/4	28	60	22	51
E230375	E2 30 x 3/8	30	55	68	3/8	28	60	22	51
E230500	E2 30 x 1/2	30	55	68	1/2	28	60	22	51
E230625	E2 30 x 5/8	30	55	68	5/8	28	60	22	51
E230750	E2 30 x 3/4	30	55	68	3/4	28	60	22	51
E2301000	E2 30 x 1	30	55	68	1	28	60	22	51
E2301250	E2 30 x 1-1/4	30	68	68	1-1/4	28	75	22	61
E2301500	E2 30 x 1-1/2	30	68	68	1-1/2	28	75	22	76
E240375	E2 40 x 3/8	40	55	83	3/8	32.5	75	22	61
E240500	E2 40 x 1/2	40	55	83	1/2	32.5	75	22	61
E240625	E2 40 x 5/8	40	55	83	5/8	32.5	75	22	61
E240750	E2 40 x 3/4	40	55	83	3/4	32.5	75	22	61
E2401000	E2 40 x 1	40	55	83	1	32.5	75	22	61
E2401250	E2 40 x 1-1/4	40	83	83	1-1/4	32.5	75	22	61
E2401500	E2 40 x 1-1/2	40	83	83	1-1/2	32.5	90	22	76
E2401750	E2 40 x 1-3/4	40	83	83	1-3/4	32.5	90	-	76
E2402000	E2 40 x 2	40	83	83	2	-	90	22	75
E250500	E2 50 x 1/2	50	68	98	1/2	35	90	30	76
E250625	E2 50 x 5/8	50	68	98	5/8	35	90	30	76
E250750	E2 50 x 3/4	50	68	98	3/4	35	90	30	76
E2501000	E2 50 x 1	50	68	98	1	35	90	30	76
E2501250	E2 50 x 1-1/4	50	68	98	1-1/4	35	90	30	76
E2501500	E2 50 x 1-1/2	50	98	98	1-1/2	35	90	30	76
E2501750	E2 50 x 1-3/4	50	98	98	1-3/4	35	90	30	76
E2502000	E2 50 x 2	50	98	98	2	35	100	30	86
E2502500	E2 50 x 2-1/2	50	98	98	2-1/2	45	100	-	86
E260625	E2 60 x 5/8	60	68	123	5/8	42.5	90	30	76
E260750	E2 60 x 3/4	60	68	123	3/4	42.5	90	30	76
E2601000	E2 60 x 1	60	68	123	1	42.5	90	30	76
E2601250	E2 60 x 1-1/4	60	68	123	1-1/4	42.5	90	30	76
E2601500	E2 60 x 1-1/2	60	98	123	1-1/2	42.5	90	30	76
E2601750	E2 60 x 1-3/4	60	98	123	1-3/4	42.5	90	30	76
E2602000	E2 60 x 2	60	98	123	2	42.5	100	30	86
E2602500	E2 60 x 2-1/2	60	110	123	2-1/2	42.5	100	30	86
E280750	E2 80 x 3/4	80	68	158	3/4	55	100	40	86
E2801000	E2 80 x 1	80	68	158	1	55	100	40	86
E2801250	E2 80 x 1-1/4	80	68	158	1-1/4	55	100	40	86
E2801500	E2 80 x 1-1/2	80	98	158	1-1/2	55	100	40	86
E2801750	E2 80 x 1-3/4	80	98	158	1-3/4	55	100	40	86
E2802000	E2 80 x 2	80	98	158	2	55	100	40	86

VDI Toolholders



Toolholder with parallel shank for boring tools



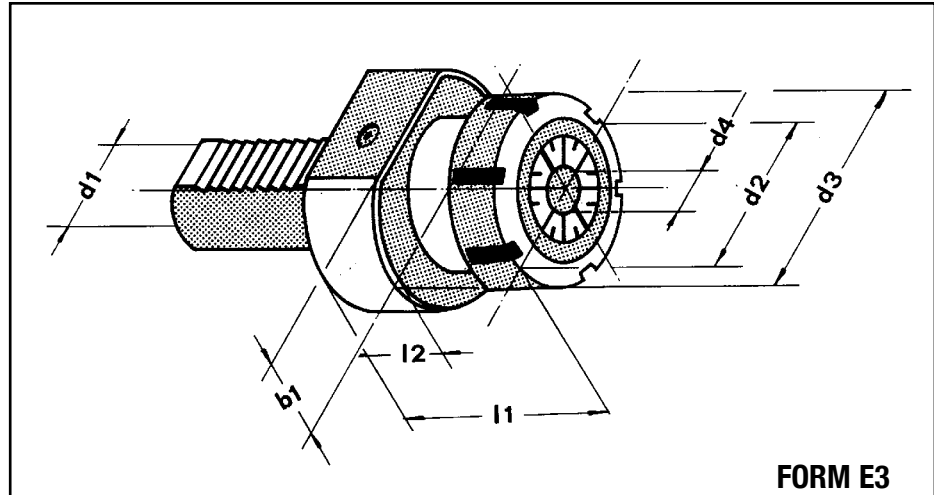
Coolant Flow External and Internal on these Holders

Order No.	Device Type	Dimensions						
		d ₁	d ₂	d ₃	d ₄	l ₁	l ₂	l ₃
E23016	E2 30 x 16	30	55	68	16	60	22	51
E23020	E2 30 x 20	30	55	68	20	60	22	51
E23025	E2 30 x 25	30	55	68	25	60	22	51
E24032	E2 30 x 32	30	68	68	32	75	22	61
E24016	E2 40 x 16	40	55	83	16	75	22	61
E24020	E2 40 x 20	40	55	83	20	75	22	61
E24025	E2 40 x 25	40	55	83	25	75	22	61
E24032	E2 40 x 32	40	83	83	32	75	22	61
E24040	E2 40 x 40	40	83	83	40	90	22	76
E24050	E2 40 x 50	40	83	83	50	90	22	75
E25016	E2 50 x 16	50	68	98	16	90	30	76
E25020	E2 50 x 20	50	68	98	20	90	30	76
E25025	E2 50 x 25	50	68	98	25	90	30	76
E25032	E2 50 x 32	50	68	98	32	90	30	76
E25040	E2 50 x 40	50	98	98	40	90	30	76
E25050	E2 50 x 50	50	98	98	50	100	30	86
E26016	E2 60 x 16	60	68	123	16	90	30	76
E26020	E2 60 x 20	60	68	123	20	90	30	76
E26025	E2 60 x 25	60	68	123	25	90	30	76
E26032	E2 60 x 32	60	68	123	32	90	30	76
E26040	E2 60 x 40	60	98	123	40	90	30	76
E26050	E2 60 x 50	60	98	123	50	90	30	86

VDI Toolholders



ECK and TG style collet chucks with parallel shank



Our ECK Collet Chucks accepts the following competitors styles of collets: DR, ER, ECK & RD .

See pages 3-7 to 3-15 for ECK/ER collets

See pages 3-2 to 3-3 for TG collets

ECK STYLE

Order No.	Device Type	Dimensions						
		d ₁	d ₂	d ₃	d ₄	b ₁	l ₁	l ₂
E320ECX25	E3-20-ECX 25	20	42	50	1-16 mm	-	60	18
E330ECX25	E3-30-ECX 25	30	50	68	1-16 mm	28	65	22
E330ECX32	E3-30-ECX 32	30	50	68	2-20 mm	28	65	22
E330ECX40	E3-30-ECX 40	30	63	68	4-26 mm	28	75	22
E340ECX25	E3-40-ECX 25	40	42	83	1-16 mm	32.5	65	22
E340ECX32	E3-40-ECX 32	40	50	83	2-20 mm	32.5	65	22
E340ECX40	E3-40-ECX 40	40	63	83	4-26 mm	32.5	75	22
E350ECX40	E3-50-ECX 40	50	63	98	4-26 mm	35	75	30

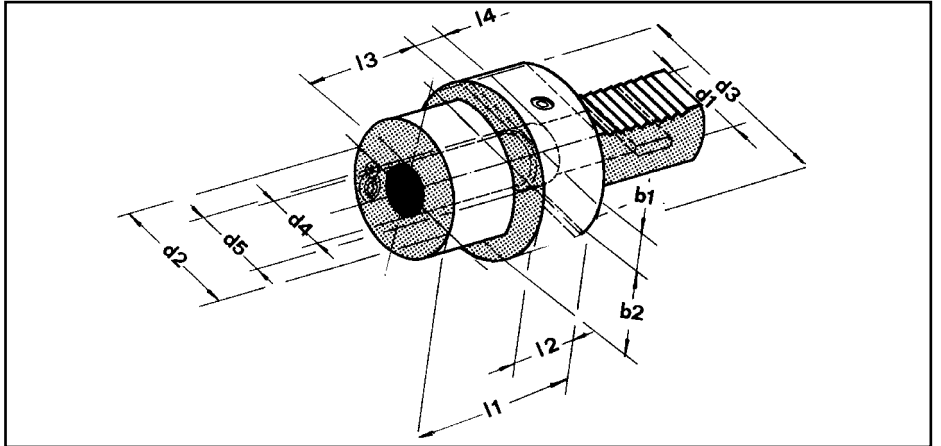
TG STYLE

Order No.	Device Type	Dimensions						
		d ₁	d ₂	d ₃	d ₄	b ₁	l ₁	l ₂
E330TG100	E3-30-TG100	30	63.5	68	3/32"-1"	28	65	22
E340TG100	E3-40-TG100	40	63.5	83	3/32"-1"	32.5	65	22
E350TG100	E3-50-TG100	50	63.5	98	3/32"-1"	35	65	30
E360TG100	E3-60-TG100	60	63.5	123	3/32"-1"	42.5	85	30
E360TG150	E3-60-TG150	60	82.5	123	1/2"-1-1/2"	42.5	85	30

VDI Toolholders

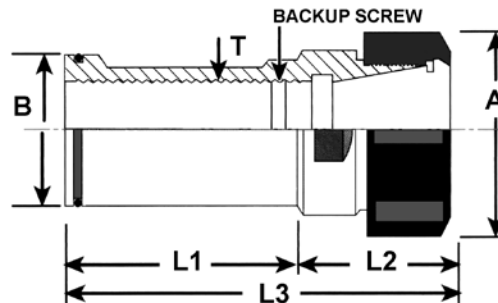
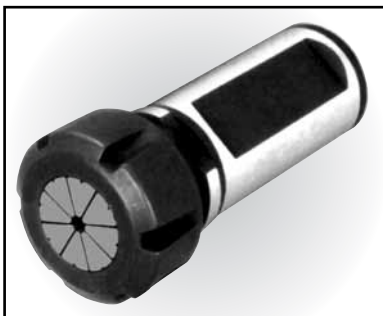


Toolholder with parallel shank and morse taper holder



Order No.	Device Type	Dimensions											
		d ₁	d ₂	d ₃	d ₄	d ₅	b ₁	b ₂	l ₁	l ₂	l ₃	l ₄	
F20MKD1	F 20 MK-D1	20	-	50	12.065	13.5	-	23	23	-	16	12	
F30MKD1	F 30 MK-D1	30	-	68	12.065	13.5	28	30	27	-	16	12	
F30MKD2	F 30 MK-D2	30	-	68	17.780	19.5	28	30	27	-	20	12	
F30MKD3	F 30 MK-D3	30	52	68	23.825	24.5	-	28	44	29	15	55	
F40MKD2	F 40 MK-D2	40	55	83	17.780	19.5	32.5	-	36	22	20	12	
F40MKD3	F 40 MK-D3	40	58	83	23.825	24.5	32.5	-	36	22	30	12	
F40MKD4	F 40 MK-D4	40	68	83	31.267	32	32.5	-	80	22	40	14	
F50MKD2	F 50 MK-D2	50	55	98	17.780	19.5	35	-	36	30	20	12	
F50MKD3	F 50 MK-D3	50	58	98	23.825	24.5	35	-	36	30	30	12	
F50MKD4	F 50 MK-D4	50	68	98	31.267	32	35	-	50	30	40	14	
F60MKD3	F 60 MK-D3	60	58	123	23.825	24.5	42.5	-	36	30	30	12	
F60MKD4	F 60 MK-D4	60	68	123	31.267	32	42.5	-	50	30	40	14	
F60MKD5	F 60 MK-D5	60	98	123	44.399	44	42.5	-	63	30	52	16	
F80MKD4	F 80 MK-D4	80	68	158	31.267	32	55	-	50	40	40	14	
F80MKD5	F 80 MK-D5	80	98	158	44.399	44	55	-	50	40	52	16	

CNC Lathe ECX/ER Collet Extensions



Order No.	Device Type	B (in)	L ₁ (mm)	L ₂ (mm)	L ₃ (mm)	A (mm)	Backup Screw
025-010	ECX25	1-1/4	60	47	107	42	M18 x 1.5
032-010	ECX32	1-1/4	60	58	118	50	M22 x 1.5
040-010	ECX40	1-1/4	60	60	120	63	M28 x 1.5
032-011	ECX32	1-1/2	80	58	138	50	M22 x 1.5
040-011	ECX40	1-1/2	75	60	135	63	M28 x 1.5

VDI Toolholders

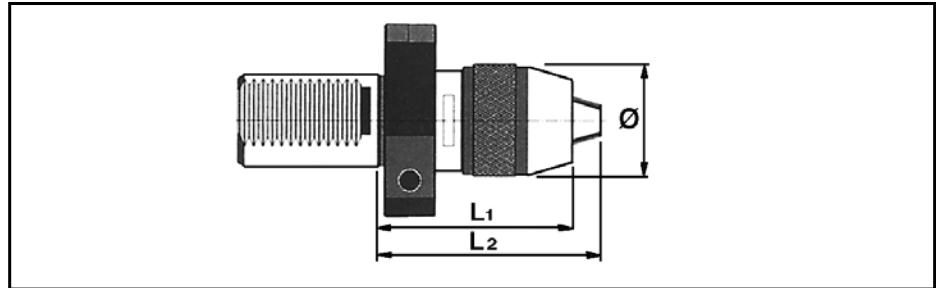


**Super Precision
Short Keyless
Drill Chuck
With VDI Shank**

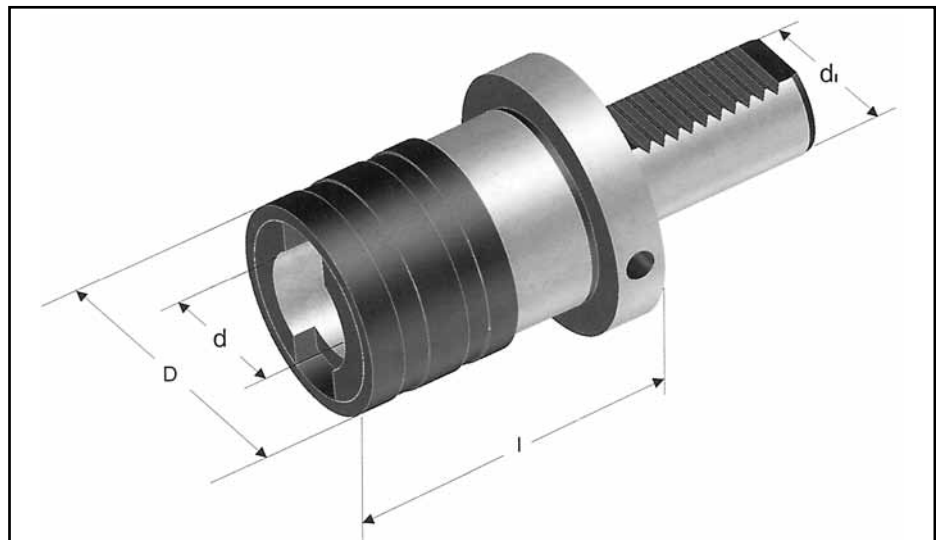


**VDI Shank
Tappers With
Tension &
Compression**

**See pages 3-36 to 3-37 for
Quick Change Tap Adapters**



Order No.	Device Type	d ₁		Capacity Minimum		Range Ød Maximum		Dimensions			Sleeve dia (D)	
		mm	inches	mm	inches	mm	inches	Closed L		Closed L ₁		mm
E73008	NPU-08-VDI30	30	0	0	0.3125	8	3.11	79	2.83	72	1.50	38
E73013	NPU-13-VDI30	30	0.031	1	0.500	13	4.13	105	3.70	94	1.89	48
E74013	NPU-13-VDI40	40	0.031	1	0.500	13	3.62	92	3.34	85	1.89	48
E74016	NPU-16-VDI40	40	0.125	3	0.625	16	3.78	96	3.34	85	2.17	55
E75016	NPU-16-VDI50	50	0.125	3	0.625	16	3.86	98	3.43	87	2.17	55
E76016	NPU-16-VDI60	60	0.125	3	0.625	16	3.86	98	3.43	87	2.17	55

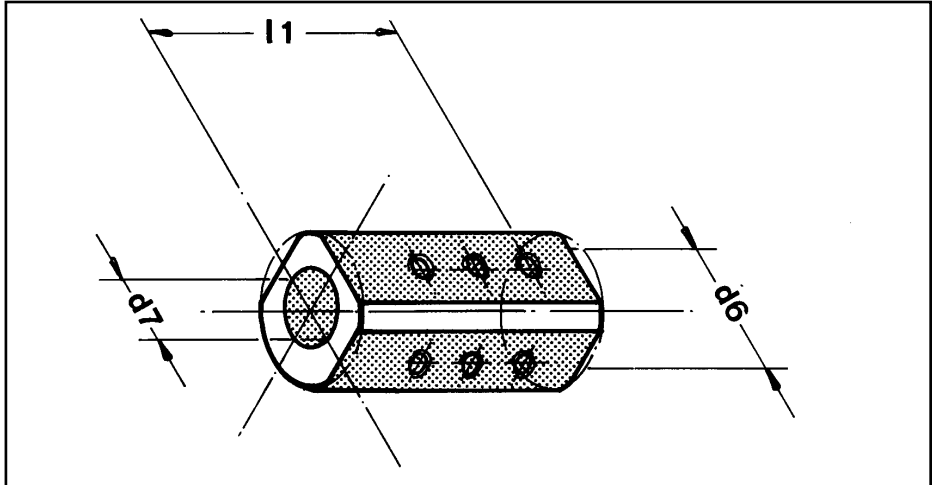


Order No.	Device Type	d ₁	d	D	I	Tap Capacity		Compensation	
						inches	mm	Return	Extra
E52019	32400 VDI20	20	19	38	55	NO. 6-9/16	M3-M12	9	9
E52031	32600 VDI20	20	31	55	77	5/16-7/8	M8-M20	15	15
E52519	32400 VDI25	25	19	38	55	NO. 6-9/16	M3-M12	9	9
E52531	32600 VDI25	25	31	55	77	5/16-7/8	M8-M20	15	15
E53019	32400 VDI30	30	19	38	55	NO. 6-9/16	M3-M12	9	9
E53031	32600 VDI30	30	31	55	77	5/16-7/8	M8-M20	15	15
E54019	32400 VDI40	40	19	38	55	NO. 6-9/16	M3-M12	9	9
E54031	32600 VDI40	40	31	55	77	5/16-7/8	M8-M20	15	15
E54048	32800 VDI40	40	48	79	110	13/16-1-3/8	M14-M33	24	24
E55048	32800 VDI50	50	48	79	110	13/16-1-3/8	M14-M33	24	24

Boring Bar Sleeves



**Boring bar sleeves
for E2 boring bar
holders**



**TAPPING
PROBLEMS?**

**CONTACT US FOR
UNIQUE TAPPING
SOLUTIONS.**

**USE HIGH
PERFORMANCE TAPS
FROM**



**THREADING
TECHNOLOGY**

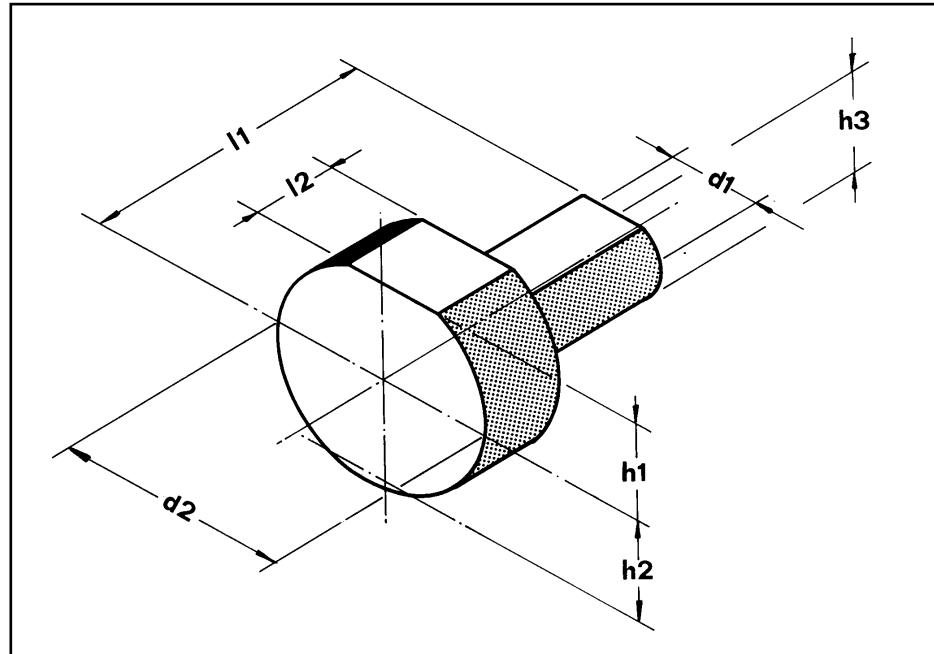
SWISS MADE



Order No.	Device Type	Dimensions		
		d ₆	d ₇	l ₁
E21100250	E2-1 1-1/4	1	1/4	60
E21100375	E2-1 1-3/8	1	3/8	60
E21100500	E2-1 1-1/2	1	1/2	60
E21125250	E2-1 1-1/4-1/4	1-1/4	1/4	70
E21125375	E2-1 1-1/4-3/8	1-1/4	3/8	70
E21125500	E2-1 1-1/4-1/2	1-1/4	1/2	70
E21125625	E2-1 1-1/4-5/8	1-1/4	5/8	70
E21125750	E2-1 1-1/4-3/4	1-1/4	3/4	70
E21150250	E2-1 1-1/2-1/4	1-1/2	1/4	80
E21150375	E2-1 1-1/2-3/8	1-1/2	3/8	80
E21150500	E2-1 1-1/2-1/2	1-1/2	1/2	80
E21150625	E2-1 1-1/2-5/8	1-1/2	5/8	80
E21150750	E2-1 1-1/2-3/4	1-1/2	3/4	80
E21200625	E2-1 2-5/8	2	5/8	90
E21200750	E2-1 2-3/4	2	3/4	90
E212001000	E2-1 2-1	2	1	90
E212001250	E2-1 2-1-1/4	2	1-1/4	90

VDI Toolholders

Plugs
Steel and Plastic



Steel

Order No.	Device Type	Dimensions						
		d_1	d_2	h_1	h_2	h_3	l_1	l_2
Z220	Z2-20	20	50	21	23	17	60	16
Z230	Z2-30	30	68	28	30	26	74	16
Z240	Z2-40	40	83	32.5	–	35	74	20
Z250	Z2-50	50	98	35	–	44	74	20
Z260	Z2-60	60	123	42.5	–	54	74	20
Z280	Z2-80	80	158	55	–	71	74	20



Plastic

Order No.	Device Type	Dimensions						
		d_1	d_2	h_1	h_2	h_3	l_1	l_2
Z2P20	Z2P-20	20	50	21	23	17	60	16
Z2P30	Z2P-30	30	68	28	30	26	74	16
Z2P40	Z2P-40	40	83	32.5	–	35	74	20
Z2P50	Z2P-50	50	98	35	–	44	74	20
Z2P60	Z2P-60	60	123	42.5	–	54	74	20
Z2P80	Z2P-80	80	158	55	–	71	74	20

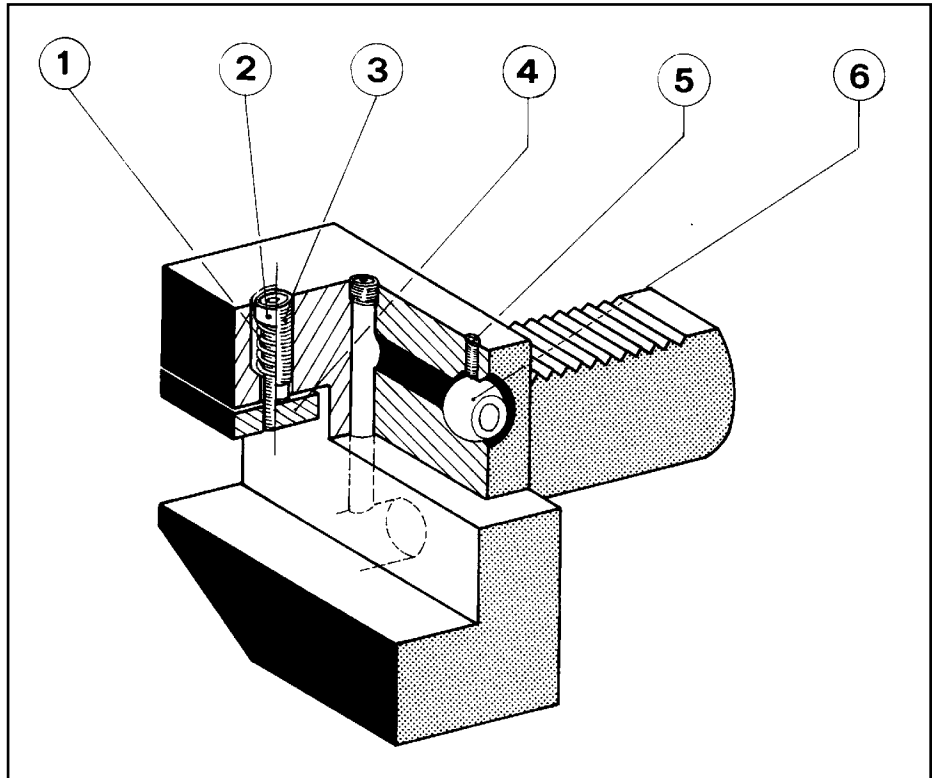
Spare Parts

Spare Parts for Toolholders Old Design

To order the spare part compare the damaged part with the drawing and specify: Part No. – Toolholder Code

Example: 6-B140 x 20 x 44

POS.	Description
1	spring
2	screw
3	adapter
4	plate
5	sphere blocking grain
6	sphere

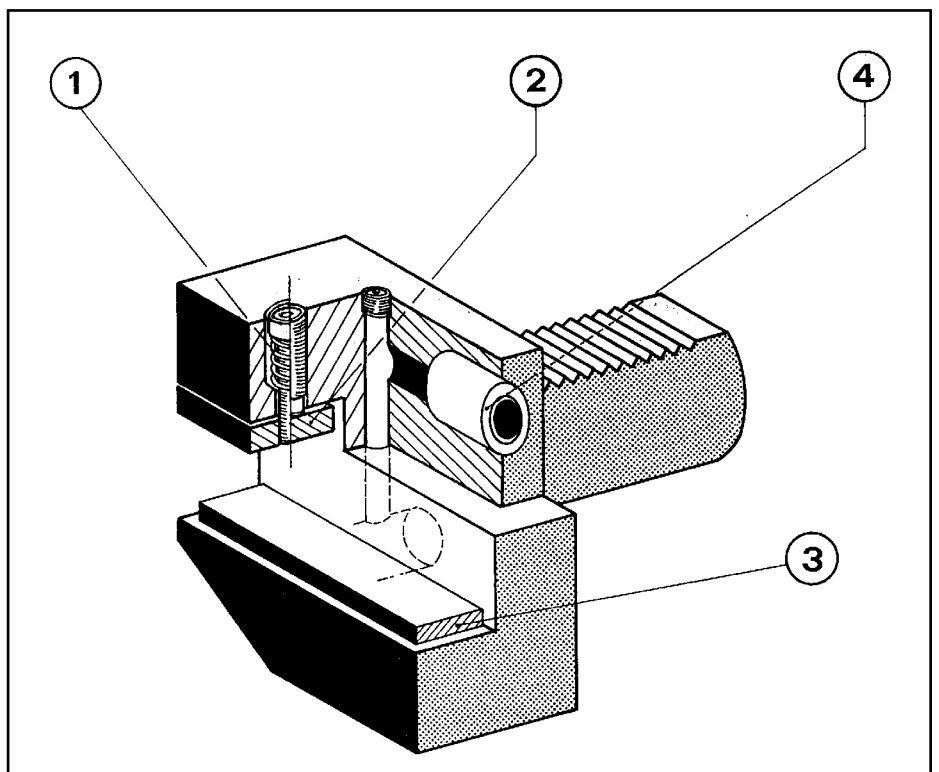


Spare Parts for Toolholders New Design

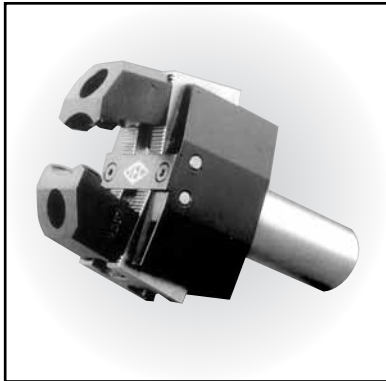
N.B. For pos. 2,3,4 when ordering please, give toolholder code

**Example:
Z3 for B140 x 25/20**

POS.	Code No.	Article
1	1102	spring
2	PB	stop plate
3	PR	reducing plate
4	Z3	cooling nozzle



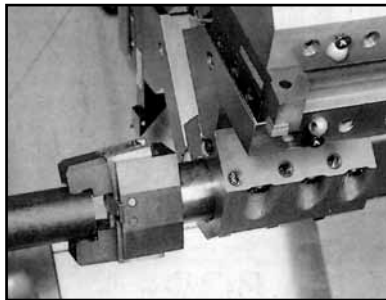
Powerpull Bar Puller



The Powerpull Bar Puller is for use on CNC or Automatic Lathes with an interchangeable tool turret. It is designed to pull bar stock and tubes into position for machining purposes, thus giving the ability for unmanned operation, without the expense and room needed with a bar feeder.

The Powerpull is a two-jaw lever chuck with variable tensioning jaws which cater to most types of material. It comes in two body sizes each with two sizes of jaws. This easy to set Bar Puller has adjustable gripping pressure and comes with a choice of standard or VDI Shanks. Special jaws can be designed and manufactured to suit unusual applications.

- TWO BODY SIZES • BAR CAPACITY 6-90mm
- ADJUSTABLE GRIPPING PRESSURE • STRONG CONSTRUCTION
- UNIT COMES WITH TWO SIZES OF JAWS PLUS CHOICE OF STANDARD SHANK SIZE

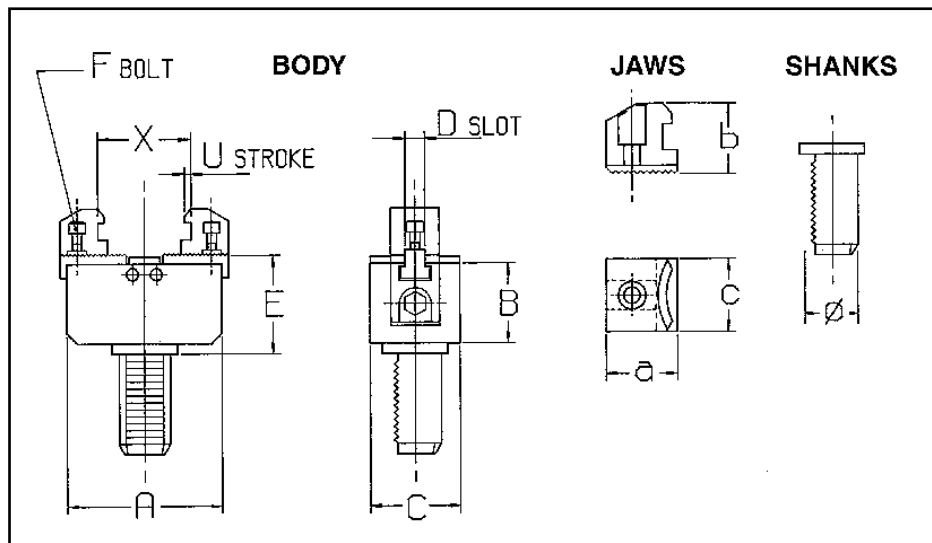


**POWERPULL ON TURRET
PULLING BAR INTO POSITION**

TECHNICAL DATA

Operating Description

The bar stock is initially fed by hand through the machine's hollow spindle to a fixed stop, the bar is then clamped by the spindle-mounted chuck or collet and machining sequence completed. The 'POWERPULL' mounted in the turret is brought towards the headstock and the jaws of the 'POWERPULL' are forced over the bar clamped in the spindle chuck. The spindle chuck is then unclamped and the spring gripping jaws of the 'POWERPULL' grip the bar stock, enabling a positive bar drag out to a predetermined stop position. Spindle chuck is then re-operated to clamp bar and the turret is withdrawn further to release gripping jaws. The bar is then ready for the machining process to be repeated.



Order No.			Device Type	BODY DATA							JAW DATA				PLAIN SHANKS		VDI SHANKS	CLAMPING FORCE	
Inch	Metric	VDI		A	A	C	D	E	F	U	a	b	c	x	inch	metric		min.	max.
ER041250	ER0432	ER04V30	ER04	85	49	50	11	52	M8	2.5	30	38	29	6-36	1-1/4"	32mm	30 dia.	130	170
ER041500	ER0440	ER04V40									23	38	29	35-64	1-1/2"	40mm			
ER042000	ER0450	ER04V50												2"	50mm				
ER061250	ER0632	ER06V30	ER06	120	60	60	14	65	M12	3	39	38	32	6-60	1-1/4"	32mm	30 dia.	200	270
ER061500	ER0640	ER06V40									32	38	32	50-90	1-1/2"	40mm			
ER062000	ER0650	ER06V50												2"	50mm				