

ECX (ER) Super Flex

High Precision Coolant Sealed Collets

DIN 6499 / ISO 15488 - A - FORM D

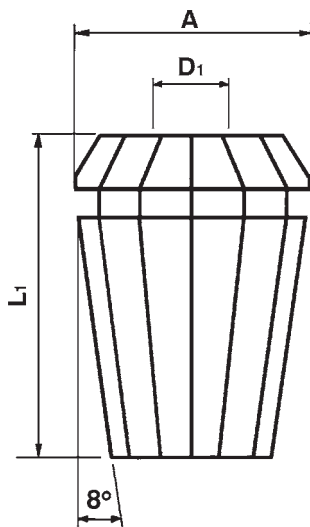


Max Pressure 600 PSI

ECX/ER 16

L_1 = Total Length: 1.063" (27 mm) A = Max. Dia: 0.657" (16.7 mm)

CLAMPING DIAMETER Inches	Order No.	CLAMPING DIAMETER Metric (mm)	Order No.
1/8	016-008ICS	3	016-120-CS
5/32	016-010ICS	4	016-160-CS
3/16	016-012ICS	5	016-200-CS
7/32	016-014ICS	6	016-240-CS
1/4	016-016ICS	7	016-280-CS
9/32	016-018ICS	8	016-320-CS
5/16	016-020ICS	9	016-360-CS
11/32	016-022ICS	10	016-400-CS
3/8	016-024ICS	-	-



ECX/ER 20

L_1 = Total Length: 1.220" (31 mm) A = Max. Dia: 0.815" (20.7 mm)

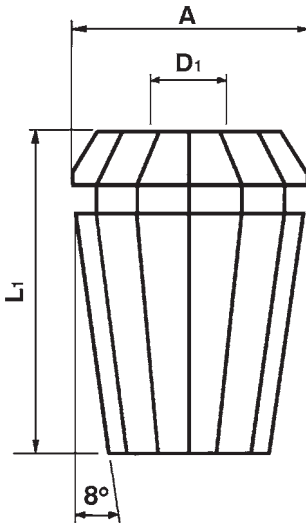
CLAMPING DIAMETER Inches	Order No.	CLAMPING DIAMETER Metric (mm)	Order No.
1/8	020-008ICS	3	020-120-CS
5/32	020-010ICS	4	020-160-CS
3/16	020-012ICS	5	020-200-CS
7/32	020-014ICS	6	020-240-CS
1/4	020-016ICS	7	020-280-CS
9/32	020-018ICS	8	020-320-CS
5/16	020-020ICS	9	020-360-CS
11/32	020-022ICS	10	020-400-CS
3/8	020-024ICS	11	020-440-CS
13/32	020-026ICS	12	020-480-CS
7/16	020-028ICS	13	020-520-CS
15/32	020-030ICS	-	-
1/2	020-032ICS	-	-

ECX (ER) Super Flex High Precision Coolant Sealed Collets

DIN 6499 / ISO 15488 - A - FORM D



Max Pressure 600 PSI



ECX/ER 25

L_1 = Total Length: 1.338" (34 mm) A = Max. Dia: 1.011" (25.7 mm)

CLAMPING DIAMETER Inches	Order No.	CLAMPING DIAMETER Metric (mm)	Order No.
1/8	025-008ICS	3	025-120-CS
5/32	025-010ICS	4	025-160-CS
3/16	025-012ICS	5	025-200-CS
7/32	025-014ICS	6	025-240-CS
1/4	025-016ICS	7	025-280-CS
9/32	025-018ICS	8	025-320-CS
5/16	025-020ICS	9	025-360-CS
11/32	025-022ICS	10	025-400-CS
3/8	025-024ICS	11	025-440-CS
13/32	025-026ICS	12	025-480-CS
7/16	025-028ICS	13	025-520-CS
15/32	025-030ICS	14	025-560-CS
1/2	025-032ICS	15	025-600-CS
17/32	025-034ICS	16	025-640-CS
9/16	025-036ICS	-	-
19/32	025-038ICS	-	-
5/8	025-040ICS	-	-

ECX/ER 32

L_1 = Total Length: 1.575" (40 mm) A = Max. Dia: 1.287" (32.7 mm)

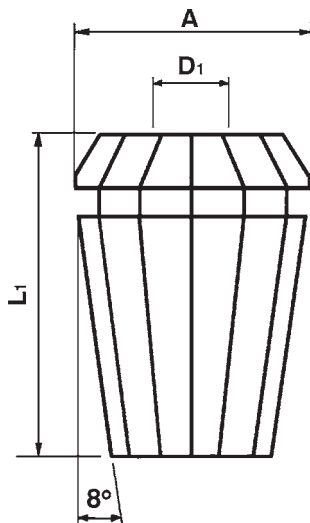
CLAMPING DIAMETER Inches	Order No.	CLAMPING DIAMETER Metric (mm)	Order No.
1/8	032-008ICS	3	032-120-CS
5/32	032-010ICS	4	032-160-CS
3/16	032-012ICS	5	032-200-CS
7/32	032-014ICS	6	032-240-CS
1/4	032-016ICS	7	032-280-CS
9/32	032-018ICS	8	032-320-CS
5/16	032-020ICS	9	032-360-CS
11/32	032-022ICS	10	032-400-CS
3/8	032-024ICS	11	032-440-CS
13/32	032-026ICS	12	032-480-CS
7/16	032-028ICS	13	032-520-CS
15/32	032-030ICS	14	032-560-CS
1/2	032-032ICS	15	032-600-CS
17/32	032-034ICS	16	032-640-CS
9/16	032-036ICS	17	032-680-CS
19/32	032-038ICS	18	032-720-CS
5/8	032-040ICS	19	032-760-CS
21/32	032-042ICS	20	032-800-CS
11/16	032-044ICS	-	-
23/32	032-046ICS	-	-
3/4	032-048ICS	-	-

ECX (ER) Super Flex High Precision Coolant Sealed Collets

DIN 6499 / ISO 15488 - A - FORM D



Max Pressure 600 PSI



ECX/ER 40

L_1 = Total Length: 1.811" (46 mm) A = Max. Dia: 1.602" (40.7 mm)

CLAMPING DIAMETER Inches	Order No.	CLAMPING DIAMETER Metric (mm)	Order No.
1/8	040-008ICS	4	040-160-CS
5/32	040-010ICS	5	040-200-CS
3/16	040-012ICS	6	040-240-CS
7/32	040-014ICS	7	040-280-CS
1/4	040-016ICS	8	040-320-CS
9/32	040-018ICS	9	040-360-CS
5/16	040-020ICS	10	040-400-CS
11/32	040-022ICS	11	040-440-CS
3/8	040-024ICS	12	040-480-CS
13/32	040-026ICS	13	040-520-CS
7/16	040-028ICS	14	040-560-CS
15/32	040-030ICS	15	040-600-CS
1/2	040-032ICS	16	040-640-CS
17/32	040-034ICS	17	040-680-CS
9/16	040-036ICS	18	040-720-CS
19/32	040-038ICS	19	040-760-CS
5/8	040-040ICS	20	040-800-CS
21/32	040-042ICS	21	040-840-CS
11/16	040-044ICS	22	040-880-CS
23/32	040-046ICS	23	040-920-CS
3/4	040-048ICS	24	040-960-CS
25/32	040-050ICS	25	040-1000-CS
13/16	040-052ICS	26	040-1040-CS
27/32	040-054ICS	-	-
7/8	040-056ICS	-	-
29/32	040-058ICS	-	-
15/16	040-060ICS	-	-
31/32	040-062ICS	-	-
1	040-064ICS	-	-