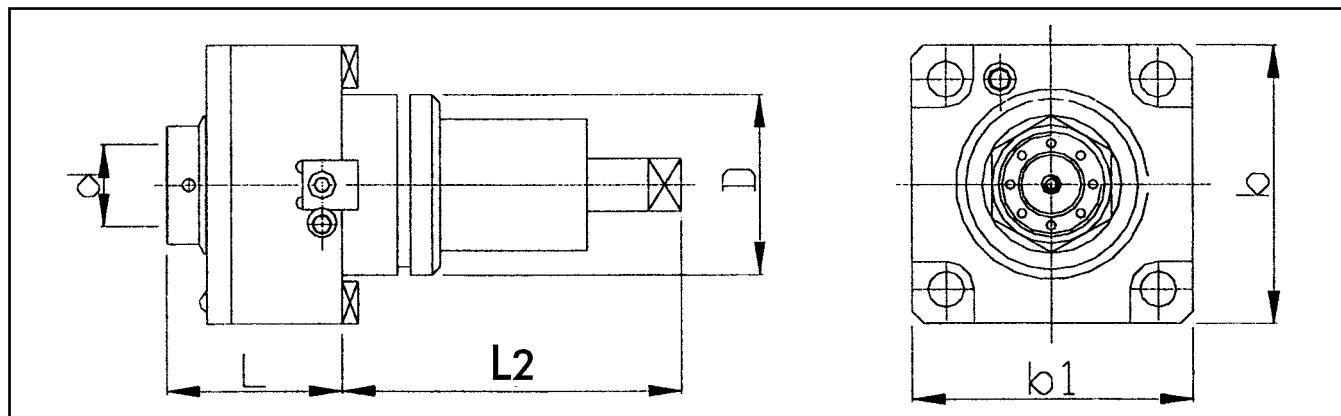
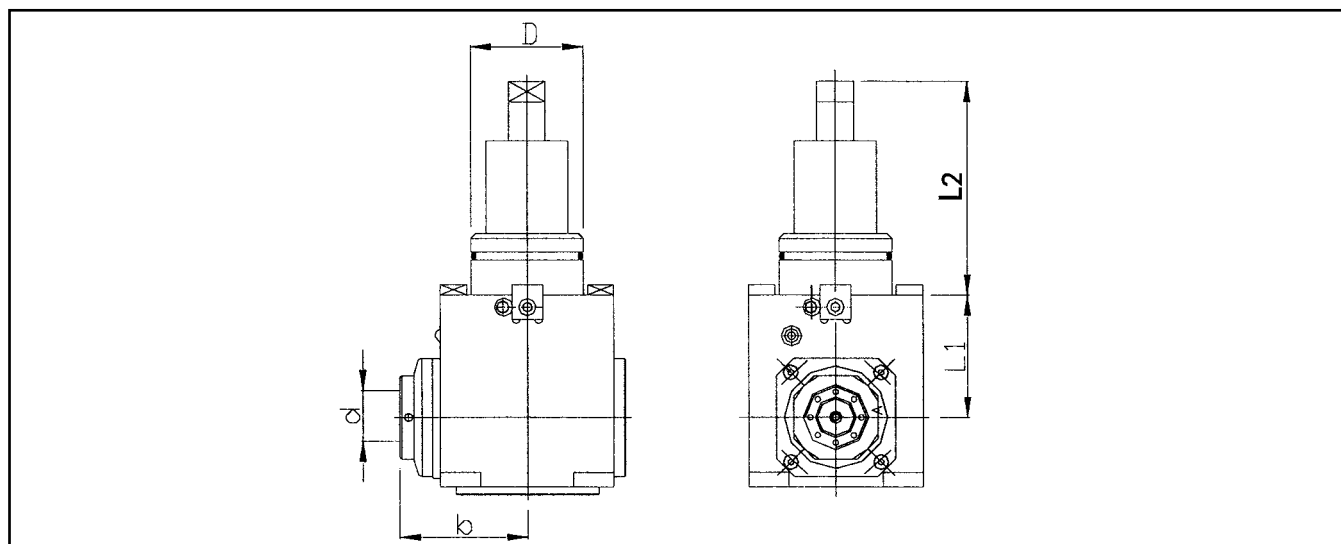


DAEWOO/DOOSAN Axial Drilling And Milling Heads



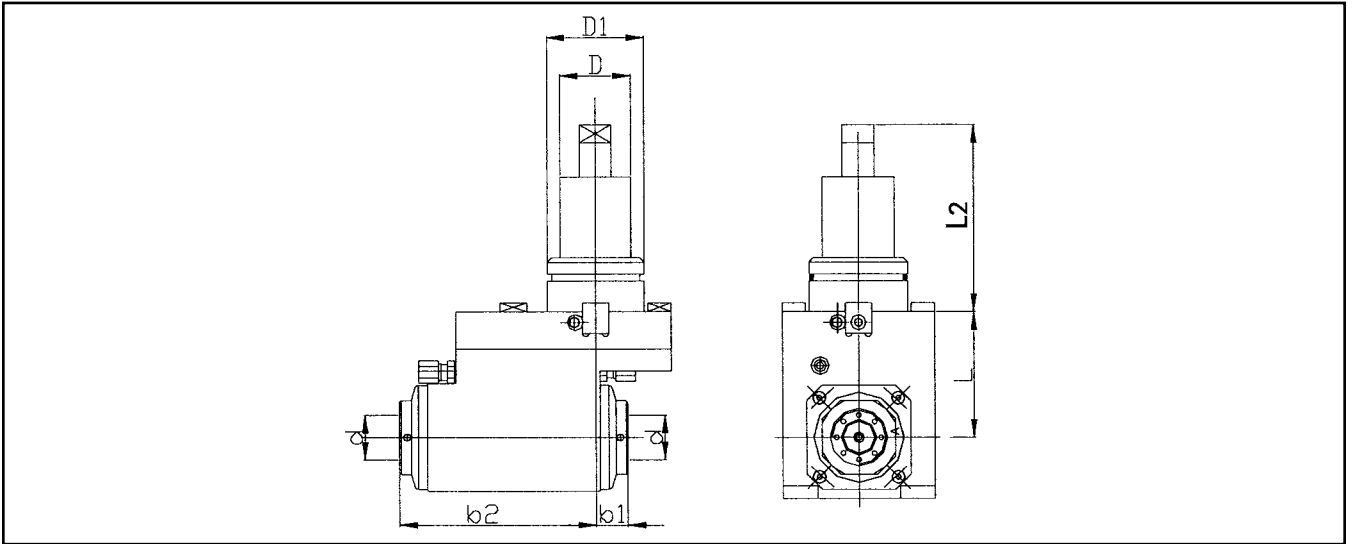
ORDER NO.	D (mm)	d	L2 (mm)	L (mm)	b (mm)	b1 (mm)	RPM Max	Ratio	Nm	Kg.
HE55DA16	55	ECX/ER25	104	54	85	85	6000	1:1	25	5.5
HE75DA26	75	ECX/ER40	110	75	112	112	6000	1:1	50	8.0

Radial Drilling And Milling Heads



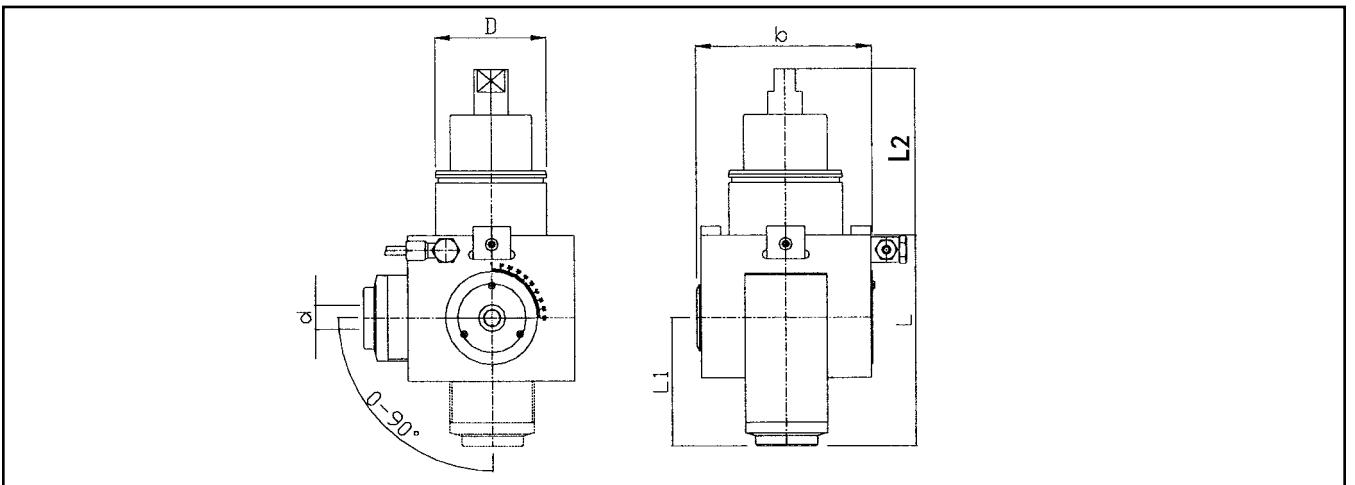
ORDER NO.	D (mm)	d	L2 (mm)	L1 (mm)	b (mm)	RPM Max	Ratio	Nm	Kg.
HE55DB16	55	ECX/ER25	104	60	62	6000	1:1	25	8.0
HE75DB26	75	ECX/ER40	110	60	112	6000	1:1	25	12.0

DAEWOO/DOOSAN Radial Double Drilling & Milling Heads



ORDER NO.	D (mm)	d	L2 (mm)	L (mm)	b1 (mm)	b2 (mm)	RPM Max	Ratio	Nm	Kg.
HE55DL16	55	ECX/ER25	104	70	19	110	6000	1:1	25	12.0

Universal Angle Drilling & Milling Heads



ORDER NO.	D (mm)	d	L2 (mm)	L (mm)	b1 (mm)	b2 (mm)	RPM Max	Ratio	Nm	Kg.
TE55DE10	55	ECX/ER16	104	115	76	92	6000	1:1	10	4.5
HE75DE16	75	ECX/ER25	110	140	85	116	6000	1:1	25	8.0