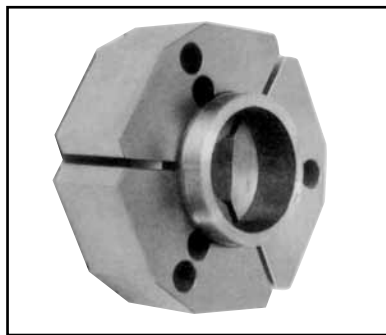
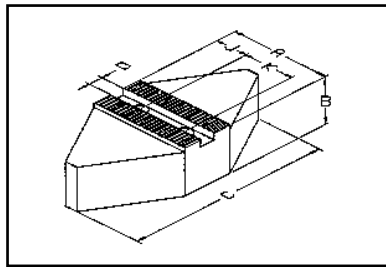


# Serrated Diamond Soft Top Jaws



**90° Serrations**

**Material: 080M15 (En32)  
Material: Aluminum HE30TF  
Black Finish**

Techleader Part No.	A	B	C	D	K + J Bolt	Serrations	Weight Kg/Set
CM 16 STEEL	60	60	120	17	22 + 15 M12	1/16 X 90°	9.0
HL 16 ALUMINUM	64	64	120				3.2
CM 20 STEEL	76	64	150	17	22 + 15 M12	1/16 X 90°	14.0
HL 20 ALUMINUM	76	64	150				5.0
CM 25 STEEL	89	64	170	17	22 + 20 M12	1/16 X 90°	20.0
HL 25 ALUMINUM	89	64	170				7.0
CM 26 STEEL	89	64	170	21	28 + 20 M16	1/16 X 90°	20.0
HL 26 ALUMINUM	89	64	170				7.0
CM 32 STEEL	118	76	240	21	28 + 30 M16	1/16 X 90°	28.0
HL 32 ALUMINUM	118	76	240				10.0
CM 40 STEEL	152	76	280	25.5	M20		
HL 40 ALUMINUM	152	76	280				

# Serrated Diamond Soft Top Jaws

To suit Autoblok, Forkardt, Gamet, Pratt Burnerd, Röhme, Schunk, SMW-Autoblok & SMW power chucks

AUTOBLOK	FORKARDT	GAMET	PRATT BURNERD	ROHM	SCHUNK	SMW
	3KGGH 160/175 KL 160, KSH 160 3KGGH 160/175 KS 160, KSPS 160 KG 160, KSF 175 UVE 160 KTG 160, KTN 160 3KTH 160-46/175-46 QLC 175		160 INTERNATIONAL (UP TO 89) 160 HIGH SPEED Q.C. (UP TO 89) 165 HYD. FRONT END	KFH 160, KFD 160 KFH-NC 160 KFH-F 160 KFH-G 160 KFD-HF 160 SPD 160 SPO 160	THF 165-37 TH 165-37 HSL 165-37 ROTA NC 165 ROTA NCF 160 ROTA NCO 165	HFS 160 HFKS 160 KDV 160 KDVG 160 KDV 160
IDN 200/220 IDL 200 HDN 200/220 HDL 200 GHDN 210  CD 200 GHD/FC 210 HDB 220	3KGGH 200, KL 200 3KGGH 200, KSF 200 KS 200, KSH 200 3KTGF 200, KSPS 200 UVE 200, KSHF 200  KG 200, KLNC 200 3NHF 200, KP 200 3NH 200 KTG 200, KTN 200 3KTH 200-66	MAC 200 MAC 220 DE 210	210 NEW INTERNATIONAL 210 NEW HIGH SPEED Q.C. 200 INTERNATIONAL (UP TO 89) 210 HYD. FRONT END 200 HIGH SPEED Q.C. (UP TO 89)  210 KB INTERNATIONAL 210 KB HIGH SPEED Q.C.	KFH 200 KFH-NC 200 KFH-F 200 KFH-G 200 KFH-HF 200  KDF 200 SPD 215 SPO 215	THF 210-52 TH 210-52 HSG 200-66 HSL 210-52 ROTA NC 210  ROTA NCF 210 ROTA NCD 210 ROTA NCO 200 TP 200	HFK 200 HFKS 200 KDV 200 KDVG 200 KDV 200
	QLC 210 KS 250 UVE 250 3NHF 250-65 3NHF 290-104 KL250 MO KS250 MO KSHF 250-55		254/265 NEW INTERNATIONAL 254 NEW HIGH SPEED Q.C. 250 HIGH SPEED Q.C. (UP TO 89) 265 KB INTERNATIONAL 265 KB HIGH SPEED Q.C.	KFL 250	HSG 250-91	KDV 250 KDVG 250
IDN 250 IDL 250 HDN 250 HDL 250 GHDN 250 GHD/FC 250 HDB 300 CD 250	KTG 250, KTN 250 3KTGF 250, KSH 250 KG 250, KP 250 3NHG 250, 3NH 250 3NHF 290, KLNC 250 KSHF 250, KL 250 KSPS 250 QLC 250	MAC 250 DE 250/260	250 INTERNATIONAL (UP TO 89) 254/305 HYD. FRONT END 305 NEW INTERNATIONAL 305 NEW HIGH SPEED Q.C. 305 KB INTERNATIONAL 305 KB HIGH SPEED Q.C.	KFH 250 KFH-NC 250 KFH-F 250 KFH-G 250 KFD 250 KFD-HF 250	THF 250-71 TH 250-71 HSL 250-71 ROTA NC 250 ROTA NCF 250 ROTA NCD 250 ROTA NCO 250 TP 250	HFK 250/270 HFKS 250 KDV 250 KDVG 250 KDV 250
IDN 315/400 IDL 315/400 HDN 315/400 HDL 315/400 GHDN 315/400 CD 315 GHD/FC 305/400	KS 315/400 KTG 315, KTN 315 3KTGF 315, KP 315 UVE 315, KSPS 300 KG 315, KLNC 315 3NHF 315, 3NH 315  KSH 315/400 KSHF 315/400 3NHF 400	MAC 315 DE 320	315 INTERNATIONAL (UP TO 89) 315/400 HIGH SPEED Q.C. (UP TO 89)	KFH 315 KFH-NC 315 KFH-F 315 KFH-G 315 KFD-HF 315 KFD-315 KFL 315 SPD 300 SPO 315	THF 315-86 TH 315-86 HSG 315-108 HSL 315-91 ROTA NC 315 ROTA NCD 315 ROTA NCF 315 ROTA NCO 315 TP 315	HFK 315 HFKS 315 KDV 315/400 KDVG 315/400 KDV 315/400
IDN 500/630/800 IDL 500/630/800 GHDN 500/610/640/800 ALD 400 AND 400	QLC315 KS 500/620 KSH 500 KTG 630, KSJHF 630 3KTGF 400/500 UVE 400/500/630/800 KTG 400/500 KTN 400/500 KG 400/500 3NHF 400/500/630 3NH 400/500/630 KL 400/500 KLNC 400/500/ KP 400 KT 400/800 KTF 400/500 QLC 400	DE 400	400 INTERNATIONAL (UP TO 89) 400 HYD FRONT END 500 HYD FRONT END	KFH 400/500 KFH-F 400/500 KFH-G 400/500 KFH-NC 400/500 KFD 400/500/630/800 KFD-H 400/500 KFD-HF 400/500 KKFD-HS 400/500 LVE 400/500/630/1000 KFL 500/630	THF 400-120 TH 400-120 THF 500-160 TH 500-160 TH 630-180 HSG 400-176 HSG 500-165 HSL 400-120 ROTA NC 400 ROTA NCD 400 ROTA NCF 400 ROTA NCO 400	HFK 400/500 HFKS 400/500 KDV 500 KDVG 500 KDM 500 KDV 400/500/630/800

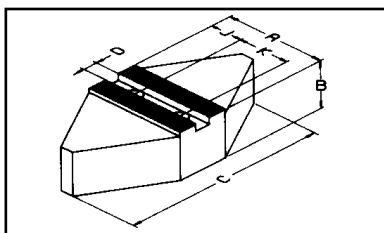
# Serrated Diamond Soft Top Jaws

To suit Howa, Kitagawa, Matsumoto, Pratt Burnerd, Röhm & Schunk Power Chucks

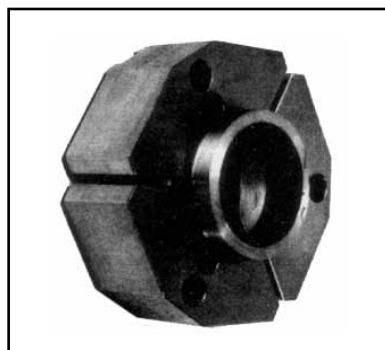
Techleader Part No.	A	B	C	D	K+J Bolt	SERRATIONS	WEIGHT KG/set	HOWA	KITAGAWA	MATSUMOTO MMK	PR11 BURNRED	Röhm	SCHUNK
CN 16 STEEL	60	60	120	12	20+15 M10	1.5 X 60°	9.0	HO1MA6 HO7MA6 HO15M6	AS-65 B-160 B-06	B206 HO-6 HOH-160	INTERNATIONAL 9821-21723 9821-31723	KFD-HE 170	HSL 165-37 ROTA NCK 165
HN16 ALUMINUM	64	64	120				3.2	HO22M6 HO27M6 HO37M6	HOB-6 HOS 6 N-160	HOH-6 HJA5-6 N-6	HIGH SPEED QUICK CHANGE 9121-21723 9121-31723		ROTA NC 165
*AKT6FG ALUMINUM	2"								BB-06 HG738-165	BL-206			ROTA NCK 165
CN 20 STEEL	76	64	150	14	25+15 M12	1.5 X 60°	14.0	HO7MA8 HO15M8	B200 B-08 N-200	B208 HOB-8 HOH-200	INTERNATIONAL 9821-32123 9821-42123	KFD-HE 210	HSL 210-52
HN 20 ALUMINUM	76	64	150				5.0		N-08 AS-210 HOS-8	HOH-8 NL-08 HOH 208	HIGH SPEED QUICK CHANGE 9121-32123 9121-42123		ROTA NCK 210 ROTA NC 210 ROTA NCF 210
*AKT8FG ALUMINUM	2"								HJA6-8 HO-8	BL-208 HG-715-210	210 KB ZA-6-8-52		
CN 25 STEEL	89	64	170	16	30+20 M12	1.5 X 60°	20.0	HO7MA10 HO15M10	B250 HOH-250 B210	B-10 BL 210 HOH-10	INTERNATIONAL 9821-42623 9821-52623	KFD-HE 254	HSL 250-71
HN 25 ALUMINUM	89	64	170				7.0		AS-250 N-10 HJA8-10	H0B-10 N-250 HJA6-10	HIGH SPEED QUICK CHANGE 9121-42623 9121-52623		ROTA NCK 250 ROTA NC 250 ROTA NCF 250
*AKT10FG ALUMINUM	2"								HO-10 HG730 254	HOS-10 NL-10	265 KB		
CN 32 STEEL	118	76	240	18	30+30 M14	1.5 X 60°	28.0	HO7MA12 HO15M12 HO27M10 HO37M10	B300 HOH-300 N-300	B-12 HOH-12 N-12	INTERNATIONAL 9821-53123 9821-63123		HSL 315-91
HN 32 ALUMINUM	118	76	240				10.0		HOS-12 HJA8-12 HJA6-12 HLA6-12 NL-12	HO-12 HOB-12 HLA8-15 HLA6-16	HIGH SPEED QUICK CHANGE 9121-53123 9121-63123		305 KB
*AKT12FG ALUMINUM	2.5"									ZA8-12-72 ZA8-12-85			
CN 33 STEEL	118	76	240	21	30+30 M16	1.5 X 60°	28.0		B212			KFD-HE 315	ROTA NCK 315 ROTA NC 315
HN 33 ALUMINUM	118	76	240				10.0						ROTA NCF 315
*AKT212FG ALUMINUM	2.5"												
CN 38 STEEL	152	76	280	22	43+37 M20	1.5 X 60°	48.0		B15				ROTA NC 400
HN 38 ALUMINUM	152	76	280				16.0		B18				ROTA NCF 400

\*THESE JAWS ARE ALUMINUM PIE JAW, MADE FROM A ROUND EXTRUSION.

**IMPORTANT:** Allow for weight of Diamond Jaws at high R.P.M.'s as the grip loss due to the effect of centrifugal forces will be greater.

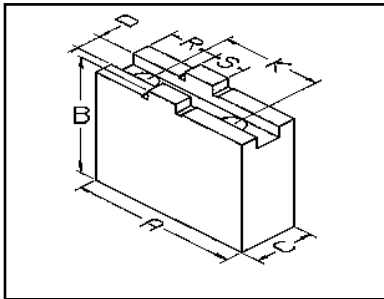
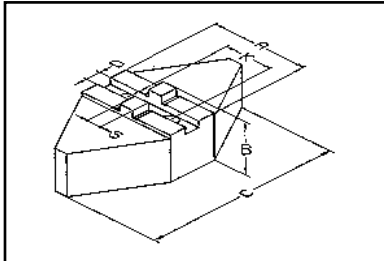


**60° Serrations**  
**Material: Steel: 080M15 (En32)**  
**Aluminum: HE30TF**



- Can be turned or bored to clamp entire circumference of workpiece
- Choice of steel or aluminum types
- Greater flexibility than pie jaws, can be reversed
- Aluminum diamond jaws - less weight for higher spindle speeds
- Helps stop distortion of thin walled components
- Can be machined to suit irregular parts

# Slot/Tenon Diamond & Aluminum Top Jaws



**To Suit Quick Jaw  
Change Chucks**

**Material: Steel: 080M15  
Material: Aluminum HE30TF  
Black Finish**

## Diamond Top Jaws

Techleader Part No.	A	B	C	D	K	S	Bolt	Weight KG/ set
CQ 16 STEEL	60	60	120	8	32	18	M8	9.0
HT 16 ALUMINUM	64	64	120					3.8
CQ 20 STEEL	76	64	150	10	40	20	M8	14.0
HT 20 ALUMINUM	76	64	150					5.9
CQ 25 STEEL	89	64	170	12	40	20	M12	20.0
HT 25 ALUMINUM	89	64	170					8.4
CQ 32 STEEL	118	76	240	12	54	26	M12	28.0
HT 32 ALUMINUM	118	76	240					10.5

## Aluminum Top Jaws

Techleader Part No.	A	B	C	D	K	R	S	Bolt	Weight KG/ set
CW 16	85	50	25	8	32	25	18	M8	0.7
CW 20	105	50	25	10	40	34	20	M8	0.9
CW 25	125	60	40	12	40	36	20	M12	2.0
CW 32	145	60	40	12	54	45	26	M12	2.4
CW 40	180	80	50	18	60	50	30	M16	5.1

# Slot/Tenon Diamond & Aluminum Top Jaws

To Suit Forkardt, Gamet, Kitagawa, Rohm, Schunk & SMW-Autoblok Quick Change Chucks

Forkardt	Gamet	Kitagawa	Rohm	Schunk	SMW-Autoblok
F 160 KTNC 160 KTNCV 175 KTNCV 160 FNC 175	MX 152 MX 175		DURO 160 DURO NC 160 DURO NC 175 DURO NCE160	ROTA-G 160 ROTA-S 160 ROTA-S plus 160 ROTA NC-W185 THW 165 R	RMG 160 KNCS 160 KNCS 175 KNCS 170-43 KNCS-N 170-43 KNSP 160 HG 160
F 200 KTNC 200 KTNCV 200 FNC 200	MX 215	QJ 8	DURO 200 DURO NC 200 DURO NCE 200	ROTA-G 200 ROTA-S 200 ROTA-S plus 200 ROTA NC-WF 210 ROTA NC-W 225 THW 210 F THF 210 R	RMG 200 HG-F 210 HG 200 HG-N 210 KNSP 200 KNCS 200 KNCS 225 KNCS 210-52
F 250 KTNC 250 KTNC 280 KTNC 315 KTNCV 250 KTNCV 315 UNC 250/315 FNC 250/315	MX 252 MX 315 MX 330	QJ10 QJ 12	DURO 250 DURO NC 250 DURO NCE 250 DURO NCE 315	ROTA-G 250 ROTA NC-WF 250 ROTA-S 250 ROTA-S plus 250 ROTA NCW 265 ROTA-G 315 ROTA NC-W 315 ROTA NC-WF 315 THW 315R	RMG 250 KNCS 250 KNCS 260 KNCS 260-71 KNCS 315 KNCS 315-91 KNCS-N 260-72 KNCS-N 315-91 HG 250/315
F 315 KTNC 360 KTNC 400 KTNCV 400 UNC 400 FNC 400	MX 380		DURO 315 DURO NC 315 DURO NCE 315	ROTA-G 400 ROTA-S 315 ROTA-S plus 315 ROTA NC-W 400 THW 315 F/400 F THW 400 R	RMG 315 KNCS 400 HG 400 KNC 400 KNCS 400-120 KNCS-N 400-128

## Aluminum Top Jaws

Forkardt	Gamet	Kitagawa	Rohm	Schunk	SMW-Autoblok	
F 160 KTNC 160 KTNCV 175 KTNCV 160 FNC 175	MX 152 MX 175		DURO 160 DURO NC 160 DURO NC 175 DURO NCE160	ROTA-G 160 ROTA-S 160 ROTA-S plus 160 KNCS 170-43 THW 165 R KNSP 160 HG 160	RMG 160 KNCS 160 KNCS 175 KNCS 170-43 KNCS-N 170-43 KNSP 160 HG 160	
F 200 KTNC 200 KTNCV 200 FNC 200	MX 215	QJ 8	DURO 200 DURO NC 200 DURO NCE 200	ROTA-G 200 ROTA-S 200 ROTA-S plus 200 ROTA NC-WF 210 ROTA NC-W 225 THW 210 F THF 210 R	RMG 200 HG-F 210 HG 200 HG-N 210 KNSP 200 KNCS 200 KNCS 225 KNCS 210-52	
F 250 KTNC 250 KTNC 280 KTNC 315 KTNCV 250 KTNCV 315 UNC 250/315 FNC 250/315	MX 252 MX 315 MX 330	QJ10 QJ 12	DURO 250 DURO NC 250 DURO NCE 250 DURO NCE 315	ROTA-G 250 ROTA NC-WF 250 ROTA-S 250 ROTA-S plus 250 ROTA NC-W 265 ROTA-G 315 ROTA NC-W 315 ROTA NC-WF 315 THW 315R THW 250 F/250 R THW 265 F/265 R	RMG 250 KNCS 250 KNCS 260 KNCS 260-71 KNCS 315 KNCS 315-91 KNCS-N 260-72 KNCS-N 315-91 HG 250/315 HG-F 250/315 HG-N 260/315	
F 315 KTNC 360 / 400 KTNCV 400 FNC 400 UNC 400	MX 380		DURO 315 DURO NC 315 DURO NCE 400	ROTA-G 400 DURO S 315 ROTA-S plus 315 ROTA NC-W 400	THW 315 F/400 F THW 400 R	RMG 315 KNCS 400 HG 400 KNC 400
F 400/500L UNC 500 KTNC 500 KTNC 630 KTNCV 500/630 FNC 500/630			DURO 400 DURO NC 400 DURO 500 DURO NC 500 DURO NCE 500		HG 500 HG-F 400/500 HG 630 KNCS 500 HG-N 500/600 HG 630 KNCS 500 KNCS 630 KNCS 500-160 KNCS-N 500-165	