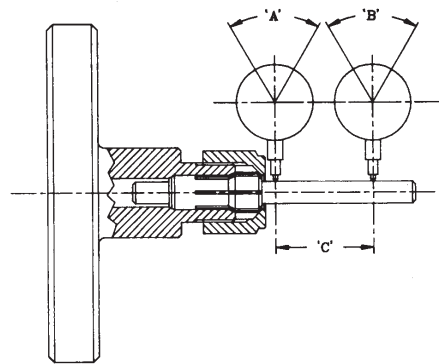


Double Angle Collets & Extensions

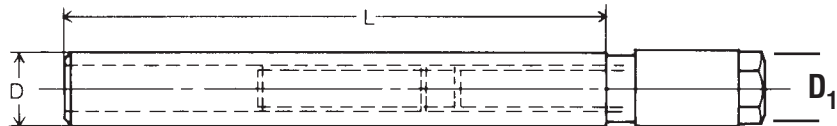
COLLETS FOR TOOLHOLDING & WORKHOLDING



DOUBLE ANGLE COLLET Standard Precision Accuracy Chart

Bore Dia		'A'	'B'	'C'
(mm)	1.0	0.025	0.040	12.0
(in.)	0.39	0.0008	0.0015	0.472
Over (mm)	1.0 to 3.0	0.025	0.050	25.0
Over (in.)	0.39-0.118	0.0008	0.002	0.984
Over (mm)	3.0 to CAP.	0.013	0.025	25.0
Over (in.)	0.118-CAP.	0.0005	0.001	0.984

Precision ground and concentric with 0.0005" TIR at collet nose.



**Double Angle
Collet Extensions**

To ensure long life of accuracy and durability, the Techleader Double Angle Tool Extensions are manufactured utilizing the latest technology of heat treat and processing, combined with high quality carbon steel. The product is hardened and tempered with a high degree of accuracy outlasting our competitors and making us No. 1 in quality and precision.

EXTENSIONS					NUTS
Order No.	Range D ₁ (in)	Collet	D (in)	L (in)	Order No.
030-000	0.031 - 0.250	300DA	1/2	5-1/2	030-000-NI
030-000S	0.031 - 0.250	300DA	1/2	3.60"	030-000-NI
030-001S	0.031 - 0.250	300DA	5/8	3.75"	030-000-NI
020-000	0.047 - 0.375	200DA	3/4	5-1/2	020-000-NI
020-000S	0.047 - 0.375	200DA	5/8	3.75"	020-000-NI
020-001S	0.047 - 0.375	200DA	3/4	3.80"	020-000-NI
010-000	0.047 - 0.562	100DA	1	5-1/2	010-000-NI
010-000S	0.047 - 0.562	100DA	1	4.00"	010-000-NI
018-000	0.047 - 0.750	180DA	1-1/4	5-1/2	018-000-NI
018-001	0.047 - 0.750	180DA	1	6.20"	018-000-NI