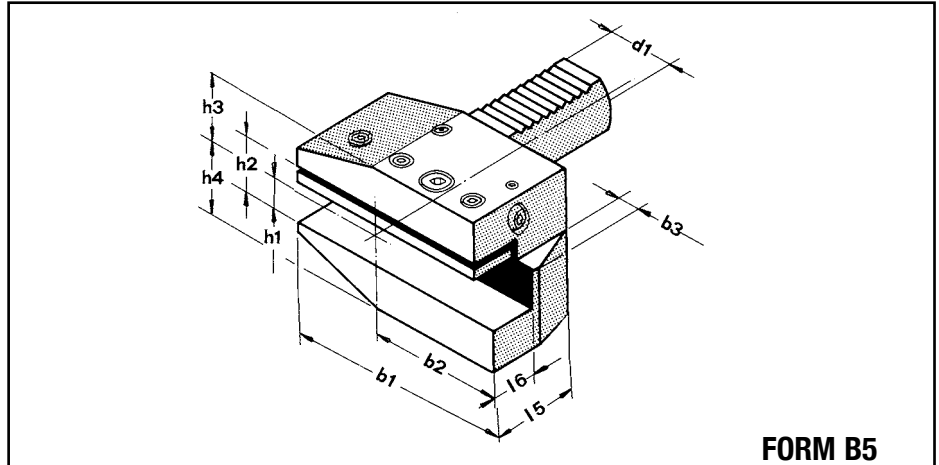


# VDI Toolholders



**Toolholder with parallel shank and transversal seat, right-hand long**

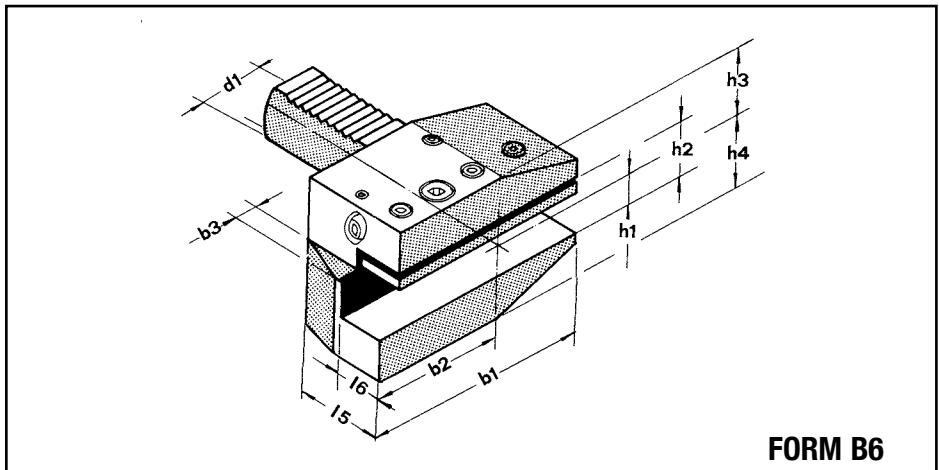


**FORM B5**

Order No.	Device Type	Dimensions									
		d <sub>1</sub>	b <sub>1</sub>	b <sub>2</sub>	b <sub>3</sub>	h <sub>1</sub>	h <sub>2</sub>	h <sub>3</sub>	h <sub>4</sub>	l <sub>5</sub>	l <sub>6</sub>
B52062530	B5 20 x 5/8 x 30	20	75	50	7	5/8	22	25	30	30	14
B52062540	B5 20 x 5/8 x 40	20	75	50	7	5/8	22	25	30	40	14
B53075040	B5 30 x 3/4 x 40	30	100	65	10	3/4	29	28	38	40	18
B53075060	B5 30 x 3/4 x 60	30	100	65	10	3/4	29	28	38	60	18
B540100044	B5 40 x 1 x 44	40	118	75.5	12.5	1	34	32.5	48	44	22
B550125055	B5 50 x 1-1/4 x 55	50	130	80	16	1-1/4	41	35	60	55	25
B560125060	B5 60 x 1-1/4 x 60	60	145	82.5	16	1-1/4	41	42.5	62.5	60	30
B580150075	B5 80 x 1-1/2 x 75	80	190	110	20	1-1/2	53	55	80	75	35



**Toolholder with parallel shank and transversal rectangular seat, left-hand long**



**FORM B6**

Order No.	Device Type	Dimensions									
		d <sub>1</sub>	b <sub>1</sub>	b <sub>2</sub>	b <sub>3</sub>	h <sub>1</sub>	h <sub>2</sub>	h <sub>3</sub>	h <sub>4</sub>	l <sub>5</sub>	l <sub>6</sub>
B62062530	B6 20 x 5/8 x 30	20	75	50	7	5/8	22	25	30	30	14
B62062540	B6 20 x 5/8 x 40	20	75	50	7	5/8	22	25	30	40	14
B63075040	B6 30 x 3/4 x 40	30	100	65	10	3/4	29	28	38	40	18
B63075060	B6 30 x 3/4 x 60	30	100	65	10	3/4	29	28	38	60	18
B640100044	B6 40 x 1 x 44	40	118	75.5	12.5	1	34	32.5	48	44	22
B650125055	B6 50 x 1-1/4 x 55	50	130	80	16	1-1/4	41	35	60	55	25
B660125060	B6 60 x 1-1/4 x 60	60	145	82.5	16	1-1/4	41	42.5	62.5	60	30
B680150075	B6 80 x 1-1/2 x 75	80	190	110	20	1-1/2	53	55	80	75	35