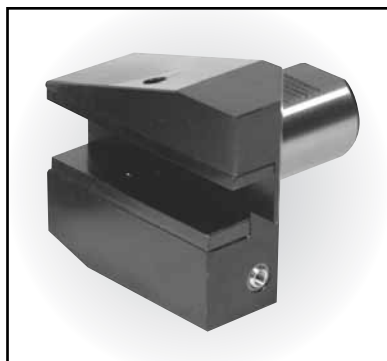
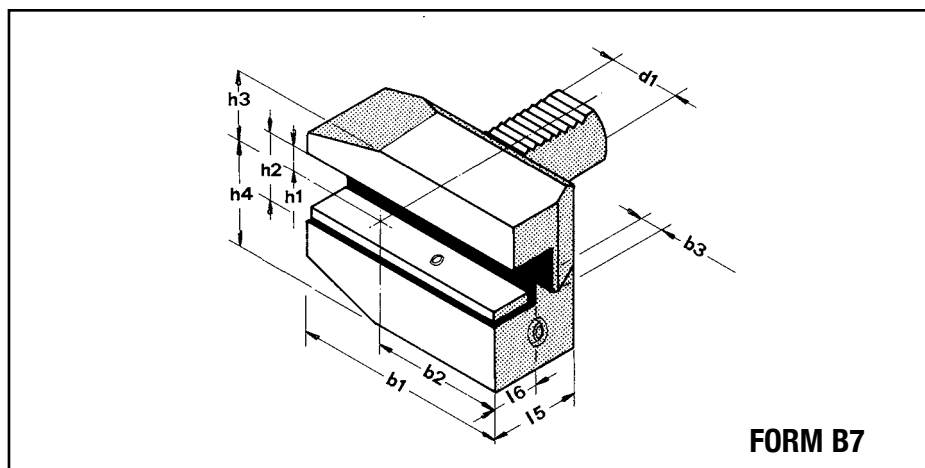


VDI Toolholders



Toolholder with parallel shank and transversal rectangular seat, upside-down, right-hand long.

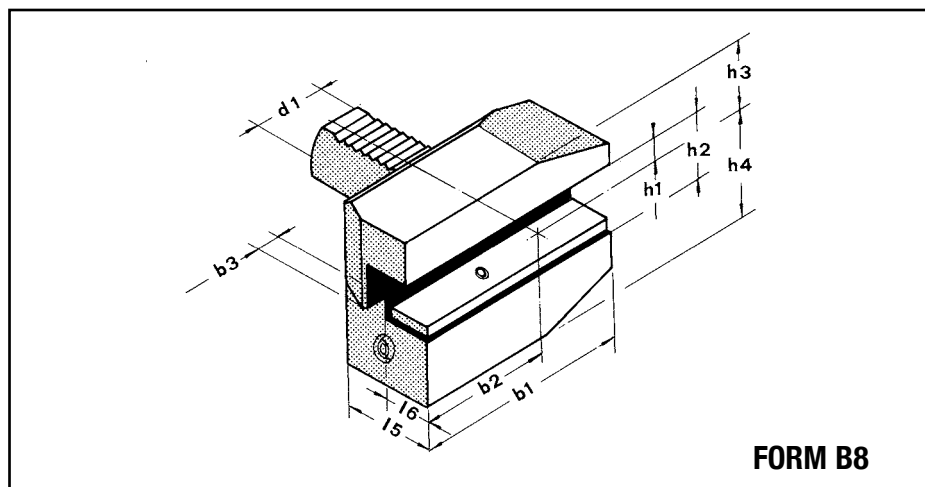


FORM B7

Order No.	Device Type	Dimensions									
		d ₁	b ₁	b ₂	b ₃	h ₁	h ₂	h ₃	h ₄	l ₅	l ₆
B72062530	B7 20 x 5/8 x 30	20	75	50	7	5/8	22	30	25	30	14
B72062540	B7 20 x 5/8 x 40	20	75	50	7	5/8	22	30	25	40	14
B73075040	B7 30 x 3/4 x 40	30	100	65	10	3/4	29	38	35	40	18
B73075060	B7 30 x 3/4 x 60	30	100	65	10	3/4	29	38	35	60	18
B740100044	B7 40 x 1 x 44	40	118	75.5	12.5	1	34	48	42.5	44	22
B750125055	B7 50 x 1-1/4 x 55	50	130	80	16	1-1/4	41	60	50	55	25
B760125060	B7 60 x 1-1/4 x 60	60	145	82.5	16	1-1/4	41	62.5	62.5	60	30
B780150075	B7 80 x 1-1/2 x 75	80	190	110	20	1-1/2	53	80	80	75	35



Toolholder with parallel shank and transversal rectangular seat, upside-down, left-hand long.



FORM B8

Order No.	Device Type	Dimensions									
		d ₁	b ₁	b ₂	b ₃	h ₁	h ₂	h ₃	h ₄	l ₅	l ₆
B82062530	B8 20 x 5/8 x 30	20	75	50	7	5/8	22	30	25	30	14
B82062540	B8 20 x 5/8 x 40	20	75	50	7	5/8	22	30	25	40	14
B83075040	B8 30 x 3/4 x 40	30	100	65	10	3/4	29	38	35	40	18
B83075060	B8 30 x 3/4 x 60	30	100	65	10	3/4	29	38	35	60	18
B840100044	B8 40 x 1 x 44	40	118	75.5	12.5	1	34	48	42.5	44	22
B850125055	B8 50 x 1-1/4 x 55	50	130	80	16	1-1/4	41	60	50	55	25
B860125060	B8 60 x 1-1/4 x 60	60	145	82.5	16	1-1/4	41	62.5	62.5	60	30
B880150075	B8 80 x 1-1/2 x 75	80	190	110	20	1-1/2	53	80	80	75	35