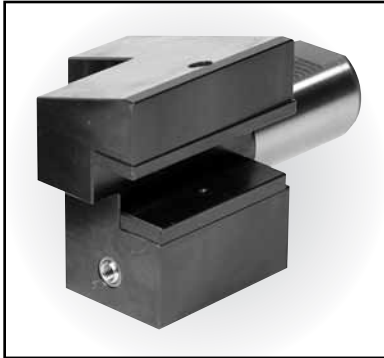
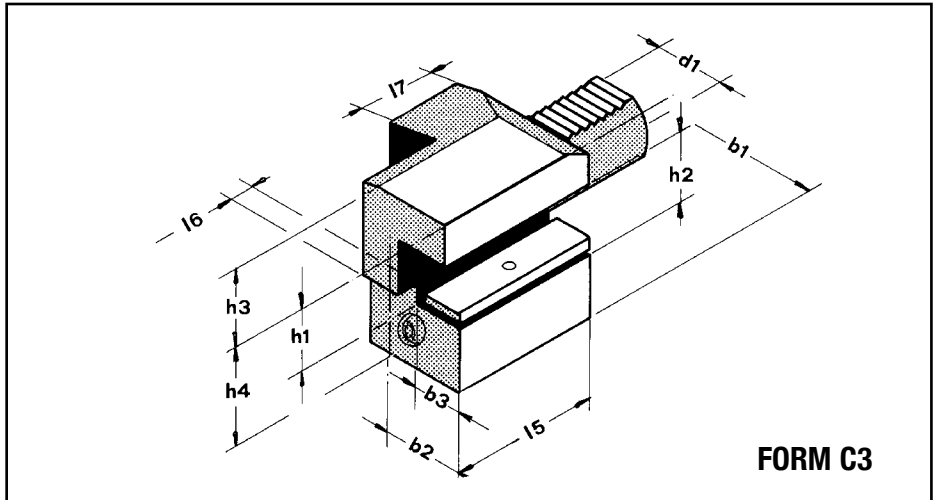


# VDI Toolholders



**Toolholder with parallel shank and longitudinal rectangular seat, upside-down, right-hand**

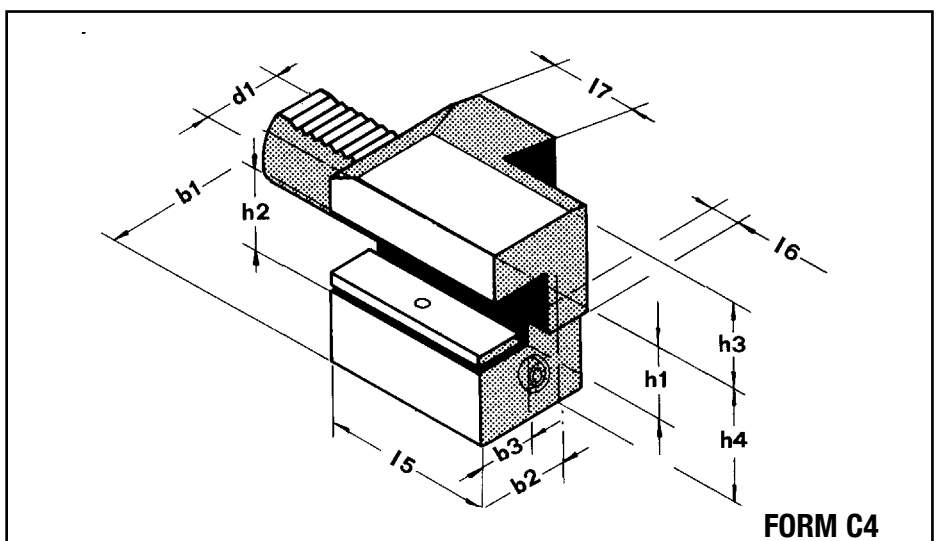


**FORM C3**

Order No.	Device Type	Dimensions										
		d <sub>1</sub>	b <sub>1</sub>	b <sub>2</sub>	b <sub>3</sub>	h <sub>1</sub>	h <sub>2</sub>	h <sub>3</sub>	h <sub>4</sub>	l <sub>5</sub>	l <sub>6</sub>	l <sub>7</sub>
C320625	C3 20 x 5/8	20	52	27	14	5/8	22	30	25	55	7	30
C320605W	C3 20 x 5/8 W	20	65	40	14	5/8	22	30	25	50	-	30
C330750	C3 30 x 3/4	30	70	35	18	3/4	29	38	35	70	10	30
C3401000	C3 40 x 1	40	85	42.5	22	1	34	48	42.5	85	12.5	30
C3501250	C3 50 x 1-1/4	50	100	50	24.5	1-1/4	41	60	50	100	16	40
C3601250	C3 60 x 1-1/4	60	125	62.5	30	1-1/4	41	62.5	62.5	125	16	40
C3801500	C3 80 x 1-1/2	80	160	80	39	1-1/2	53	80	80	160	20	40



**Toolholder with parallel shank and longitudinal rectangular seat, upside-down, left-hand**



**FORM C4**

Order No.	Device Type	Dimensions										
		d <sub>1</sub>	b <sub>1</sub>	b <sub>2</sub>	b <sub>3</sub>	h <sub>1</sub>	h <sub>2</sub>	h <sub>3</sub>	h <sub>4</sub>	l <sub>5</sub>	l <sub>6</sub>	l <sub>7</sub>
C420625	C4 20 x 5/8	20	65	40	14	5/8	22	30	25	50	-	30
C430750	C4 30 x 3/4	30	76	41	18	3/4	29	38	35	70	10	30
C4401000	C4 40 x 1	40	90	47.5	22	1	34	48	42.5	85	12.5	30
C4501250	C4 50 x 1-1/4	50	105	55	24.5	1-1/4	41	60	50	100	16	40
C4601250	C4 60 x 1-1/4	60	125	62.5	30	1-1/4	41	62.5	62.5	125	16	40
C4801500	C4 80 x 1-1/2	80	160	78	37	1-1/2	53	80	80	160	20	40