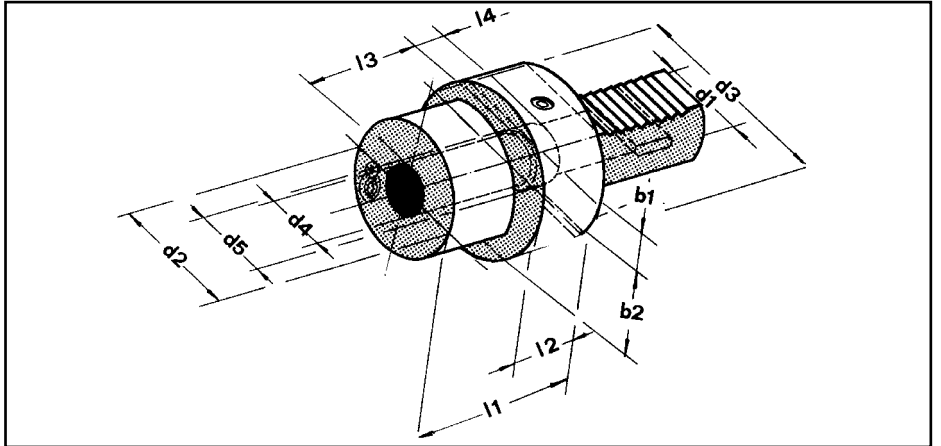


# VDI Toolholders

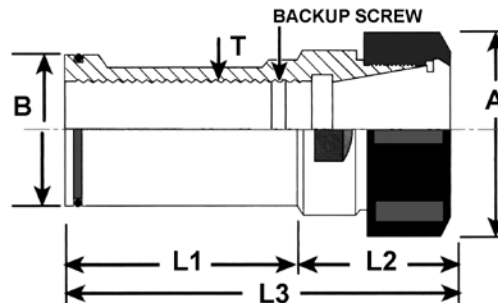
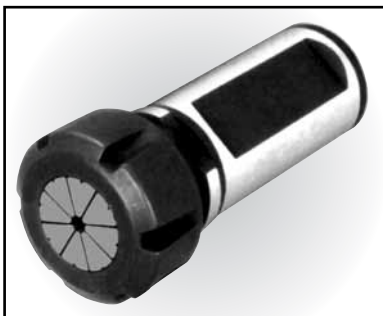


**Toolholder with parallel shank and morse taper holder**



Order No.	Device Type	Dimensions											
		d <sub>1</sub>	d <sub>2</sub>	d <sub>3</sub>	d <sub>4</sub>	d <sub>5</sub>	b <sub>1</sub>	b <sub>2</sub>	l <sub>1</sub>	l <sub>2</sub>	l <sub>3</sub>	l <sub>4</sub>	
F20MKD1	F 20 MK-D1	20	-	50	12.065	13.5	-	23	23	-	16	12	
F30MKD1	F 30 MK-D1	30	-	68	12.065	13.5	28	30	27	-	16	12	
F30MKD2	F 30 MK-D2	30	-	68	17.780	19.5	28	30	27	-	20	12	
F30MKD3	F 30 MK-D3	30	52	68	23.825	24.5	-	28	44	29	15	55	
F40MKD2	F 40 MK-D2	40	55	83	17.780	19.5	32.5	-	36	22	20	12	
F40MKD3	F 40 MK-D3	40	58	83	23.825	24.5	32.5	-	36	22	30	12	
F40MKD4	F 40 MK-D4	40	68	83	31.267	32	32.5	-	80	22	40	14	
F50MKD2	F 50 MK-D2	50	55	98	17.780	19.5	35	-	36	30	20	12	
F50MKD3	F 50 MK-D3	50	58	98	23.825	24.5	35	-	36	30	30	12	
F50MKD4	F 50 MK-D4	50	68	98	31.267	32	35	-	50	30	40	14	
F60MKD3	F 60 MK-D3	60	58	123	23.825	24.5	42.5	-	36	30	30	12	
F60MKD4	F 60 MK-D4	60	68	123	31.267	32	42.5	-	50	30	40	14	
F60MKD5	F 60 MK-D5	60	98	123	44.399	44	42.5	-	63	30	52	16	
F80MKD4	F 80 MK-D4	80	68	158	31.267	32	55	-	50	40	40	14	
F80MKD5	F 80 MK-D5	80	98	158	44.399	44	55	-	50	40	52	16	

# CNC Lathe ECX/ER Collet Extensions



Order No.	Device Type	B (in)	L <sub>1</sub> (mm)	L <sub>2</sub> (mm)	L <sub>3</sub> (mm)	A (mm)	Backup Screw
025-010	ECX25	1-1/4	60	47	107	42	M18 x 1.5
032-010	ECX32	1-1/4	60	58	118	50	M22 x 1.5
040-010	ECX40	1-1/4	60	60	120	63	M28 x 1.5
032-011	ECX32	1-1/2	80	58	138	50	M22 x 1.5
040-011	ECX40	1-1/2	75	60	135	63	M28 x 1.5